



2024 Catalogue

# CONTENT

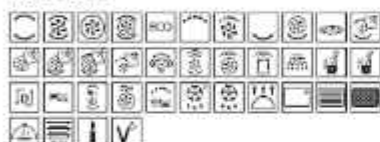
Ovens .....	04
Microwave Ovens .....	11
Hobs .....	13
Hoods .....	22
Freestanding Cookers .....	28
Dishwasher .....	30



# OVENS

SO6606APNR

**S06606WAPNR**  
 OMNICHEF

**FUNCTIONS**


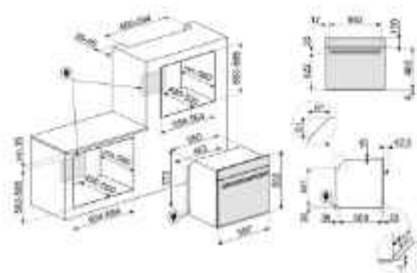
60cm  
 Net volume of the cavity: 68 l  
 Display name: VivoScreen max  
 Steam 100 pro  
 Steam range: 20 - 100%  
 Water loading: Fill&Hide, automatic  
 No. of cooking functions: 26  
 Automatic programmes: 150  
 Customisable recipes: 10  
 Multi-step cooking: Yes, up to 3 steps  
 Temperature probe  
 Rapid pre-heating  
 DeltaT cooking  
 SameTime  
 End of cooking acoustic alarm  
 Microwave effective power: 900 W  
 Stirrer  
 Inverter  
 Nominal power: 3000 W  
 Tank capacity: 2 l

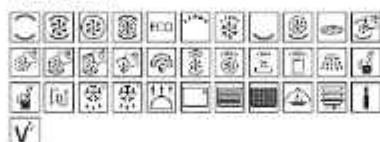
**MAINTENANCE**

Ever clean Enamel  
 Cleaning functions: Vapor Clean

**ACCESSORIES**

Premium rack: 2  
 St/steel tray (20mm): 1  
 St/steel perforated deep tray (40mm): 1  
 Grill mesh: 1  
 Glass tray: 1  
 Telescopic Guide rails, total Extraction (inox): 1  
 Enamelled deep tray (50mm): 1


**S06604S4PNR**  
 STEAM100 PRO

**FUNCTIONS**


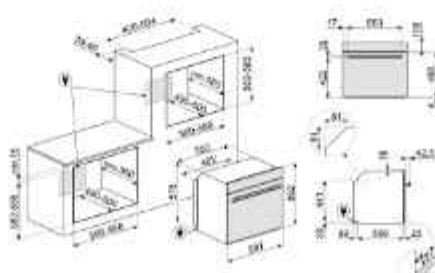
60cm  
 Net volume of the cavity: 68 l  
 Display name: VivoScreen  
 Steam range: 20 - 100%  
 Water loading: Fill & Hide, automatic  
 No. of cooking functions: 20  
 Automatic programmes: 150  
 Customisable recipes: 10  
 Multi-step cooking: Yes, up to 2 steps  
 Temperature probe  
 Rapid pre-heating  
 DeltaT cooking  
 SameTime  
 End of cooking acoustic alarm  
 Nominal power: 3000 W  
 Tank capacity: 2 l

**MAINTENANCE**

Ever clean Enamel  
 Cleaning functions: Vapor Clean

**ACCESSORIES**

St/steel tray (20mm): 1  
 St/steel perforated deep tray (40mm): 1  
 Insert grid: 1  
 Telescopic Guide rails, total extraction (inox): 1  
 Enamelled deep tray (50mm): 1


**SOP6604TPNR**  
 TRADITIONAL PYRO

**FUNCTIONS**

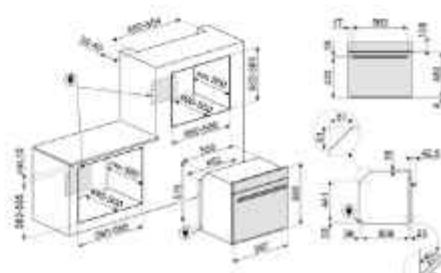

60cm  
 Net volume of the cavity: 68 l  
 Display name: VivoScreen  
 No. of cooking functions: 10  
 Automatic programmes: 150  
 Customisable recipes: 10  
 Multi-step cooking: Yes, up to 2 steps  
 Temperature probe  
 Rapid pre-heating  
 DeltaT cooking  
 SameTime  
 End of cooking acoustic alarm  
 Nominal power: 3000 W

**MAINTENANCE**

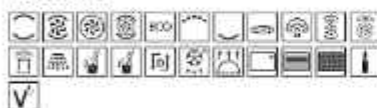
Ever clean Enamel  
 Cleaning functions: Pyrolytic

**ACCESSORIES**

Enamelled tray (20mm): 1  
 Insert grid: 1  
 Telescopic Guide rails, total extraction: 1  
 Enamelled deep tray (50mm): 1



**S06302S3PX**  
 STEAM100

**FUNCTIONS**


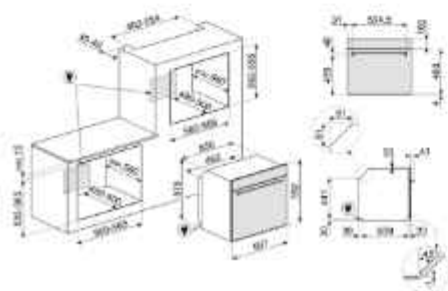
60cm  
 Net volume of the cavity: 67 l  
 Display name: EvoScreen  
 Steam range: 20 - 100%  
 Water loading: Drawer, manual  
 No. of cooking functions: 12  
 Temperature probe  
 Rapid pre-heating  
 End of cooking acoustic alarm  
 Nominal power: 3000 W  
 Tank capacity: 0.8L

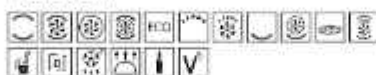
**MAINTENANCE**

Ever clean Enamel  
 Cleaning functions: Vapor Clean

**ACCESSORIES**

St/steel tray (20mm): 1  
 St/steel perforated deep tray (40mm): 1  
 Insert grid: 1  
 Rack with back stop: 1  
 Enamelled deep tray (50mm): 1


**S06301S2X**  
 STEAMONE

**FUNCTIONS**


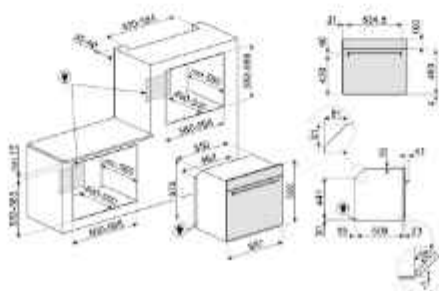
60cm  
 Net volume of the cavity: 68 l  
 Display name: CompactScreen  
 Steam range: 20 - 40%  
 Water loading: Drawer, manual  
 No. of cooking functions: 11  
 Rapid pre-heating  
 End of cooking acoustic alarm  
 Nominal power: 3000 W  
 Tank capacity: 0.8L

**MAINTENANCE**

Ever clean Enamel  
 Cleaning functions: Vapor Clean

**ACCESSORIES**

Insert grid: 1  
 Rack with back stop: 1  
 Enamelled deep tray (50mm): 1


**S06302M2X**  
 SPEEDWAVEXL

**FUNCTIONS**

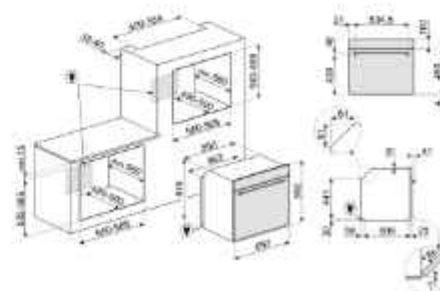

60cm  
 Net volume of the cavity: 68 l  
 Display name: EvoScreen  
 No. of cooking functions: 11  
 Rapid pre-heating  
 End of cooking acoustic alarm  
 Microwave effective power: 900 W  
 Stirrer: Yes  
 Inverter  
 Nominal power: 3000 W

**MAINTENANCE**

Ever clean Enamel  
 Cleaning functions: Vapor Clean

**ACCESSORIES**

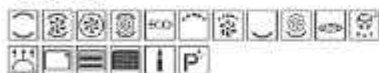
Glass tray: 1  
 Insert grid: 1  
 Rack with back stop: 1  
 Telescopic Guide rails, partial extraction: 1  
 Enamelled deep tray (50mm): 1



**SOP6302TX**  
TRADITIONAL PYRO  
(MULTIFUNCTION)



**FUNCTIONS**



60cm  
Net volume of the cavity: 68 l  
Display name: EvoScreen  
No. of cooking functions: 10  
Rapid pre-heating  
End of cooking acoustic alarm  
Nominal power: 3000 W

**MAINTENANCE**

Ever clean Enamel  
Cleaning functions: Pyrolytic

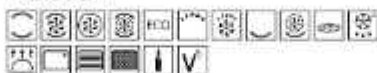
**ACCESSORIES**

Enamelled tray (20mm): 1  
Insert grid: 1  
Rack with back stop: 1  
Telescopic Guide rails, partial extraction: 1  
Enamelled deep tray (50mm): 1

**S06302TX**  
TRADITIONAL  
(MULTIFUNCTION)



**FUNCTIONS**



60cm  
Net volume of the cavity: 68 l  
Display name: EvoScreen  
No. of cooking functions: 10  
Rapid pre-heating  
End of cooking acoustic alarm  
Nominal power: 3000 W

**MAINTENANCE**

Ever clean Enamel  
Cleaning functions: Vapor Clean

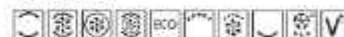
**ACCESSORIES**

Enamelled tray (20mm): 1  
Insert grid: 1  
Rack with back stop: 1  
Telescopic Guide rails, partial extraction: 1  
Enamelled deep tray (50mm): 1

**SF6300TVX**  
TRADITIONAL  
(THERMO-VENTILATED)



**FUNCTIONS**



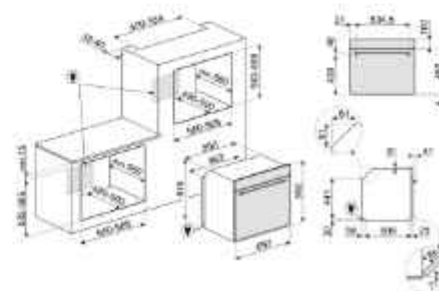
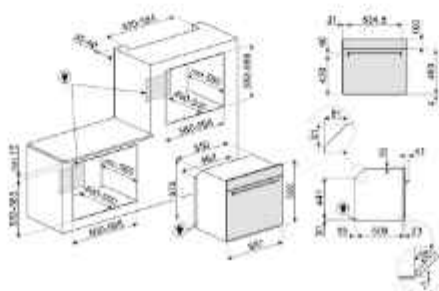
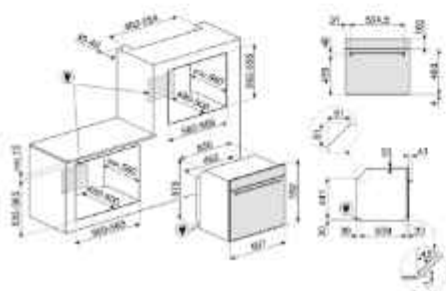
60cm  
Net volume of the cavity: 70 l  
Display name: DigScreen  
No. of cooking functions: 8  
Rapid pre-heating  
End of cooking acoustic alarm  
Nominal power: 3000 W

**MAINTENANCE**

Ever clean Enamel  
Cleaning functions: Vapor Clean

**ACCESSORIES**

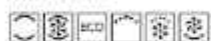
Enamelled deep tray (40mm): 1  
Insert grid: 1  
Rack with back stop: 1



**SF6381X**  
**TRADITIONAL**  
**(FAN-ASSISTED)**



**FUNCTIONS**



60cm

Net volume of the cavity: 70 l

No. of cooking functions: 6

End of cooking acoustic alarm

Nominal power: 3000 W

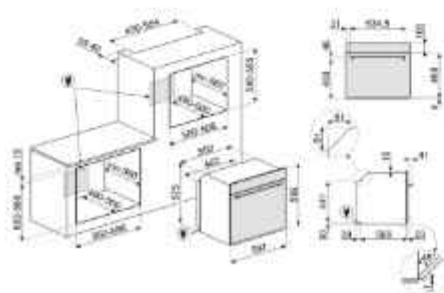
**MAINTENANCE**

Ever clean Enamel

**ACCESSORIES**

Enamelled deep tray (40mm): 1

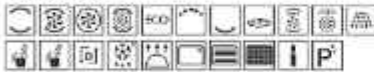
Rack with back stop: 1



**SOP6902S2PP**  
PYRO STEAM  
(STEAM ASSIST)



**FUNCTIONS**



60cm  
Net volume of the cavity: 68 l  
Display name: EvoScreen  
Steam range: 20 - 40%  
Water loading: Drawer, manual  
No. of cooking functions: 12  
Temperature probe  
Rapid pre-heating  
End of cooking acoustic alarm  
Nominal power: 3000 W  
Tank capacity: 0.8 l

**MAINTENANCE**

Ever clean Enamel  
Cleaning functions: Pyrolytic

**ACCESSORIES**

Enamelled tray (20mm): 1  
Insert grid: 1  
Rack with back stop: 1  
Enamelled deep tray (50mm): 1

**SOP6902S2PN**  
PYRO STEAM  
(STEAM ASSIST)



**FUNCTIONS**



60cm  
Net volume of the cavity: 68 l  
Display name: EvoScreen  
Steam range: 20 - 40%  
Water loading: Drawer, manual  
No. of cooking functions: 12  
Temperature probe  
Rapid pre-heating  
End of cooking acoustic alarm  
Nominal power: 3000 W  
Tank capacity: 0.8 l

**MAINTENANCE**

Ever clean Enamel  
Cleaning functions: Pyrolytic

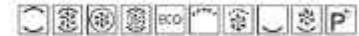
**ACCESSORIES**

Enamelled tray (20mm): 1  
Insert grid: 1  
Rack with back stop: 1  
Enamelled deep tray (50mm): 1

**SOP6900TP**  
TRADITIONAL PYRO  
(MULTIFUNCTION)



**FUNCTIONS**



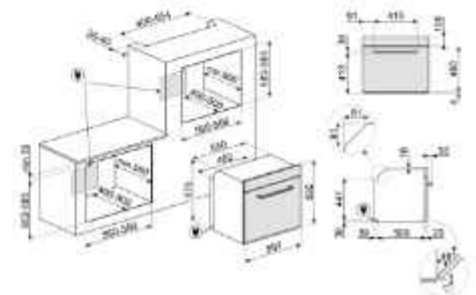
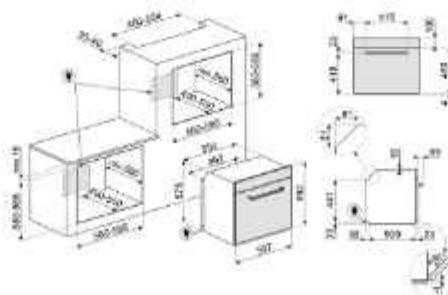
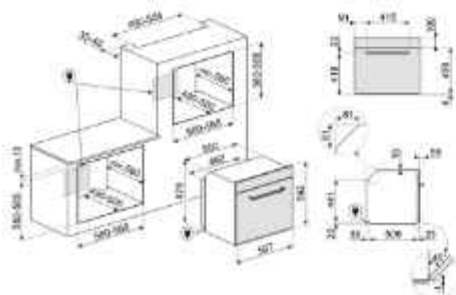
60cm  
Net volume of the cavity: 68 l  
Display name: DigiScreen  
No. of cooking functions: 9  
Rapid pre-heating  
End of cooking acoustic alarm  
Nominal power: 3000 W

**MAINTENANCE**

Ever clean Enamel  
Cleaning functions: Pyrolytic

**ACCESSORIES**

Rack with back stop: 1  
Enamelled deep tray (50mm): 1

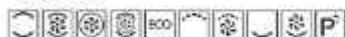




**SOP6900TN**  
TRADITIONAL PYRO  
(MULTIFUNCTION)



**FUNCTIONS**



60cm  
Net volume of the cavity: 68 l  
Display name: DigiScreen  
No. of cooking functions: 9  
Rapid pre-heating  
End of cooking acoustic alarm  
Nominal power: 3000 W

**MAINTENANCE**

Ever clean Enamel  
Cleaning functions: Pyrolytic

**ACCESSORIES**

Rack with back stop: 1  
Enamelled deep tray (50mm): 1

**SF6905P1**  
TRADITIONAL  
(THERMO-VENTILATED)



**FUNCTIONS**



60cm  
Net volume of the cavity: 70 l  
No. of cooking functions: 8  
End of cooking acoustic alarm  
Nominal power: 3000 W

**MAINTENANCE**

Ever clean Enamel  
Cleaning functions: Vapor Clean

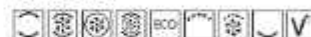
**ACCESSORIES**

Enamelled deep tray (40mm): 1  
Insert grid: 1  
Rack with back stop: 1

**SF6905N1**  
TRADITIONAL  
(THERMO-VENTILATED)



**FUNCTIONS**



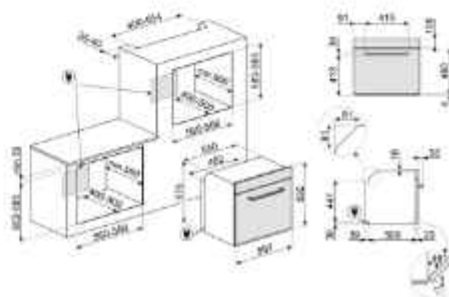
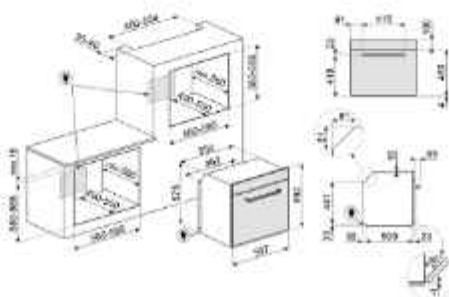
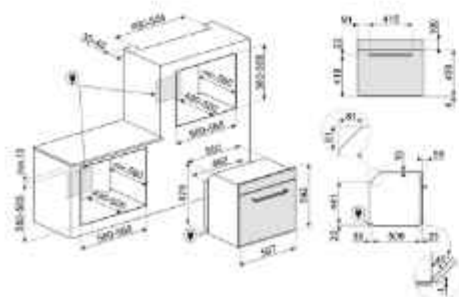
60cm  
Net volume of the cavity: 70 l  
No. of cooking functions: 8  
End of cooking acoustic alarm  
Nominal power: 3000 W

**MAINTENANCE**

Ever clean Enamel  
Cleaning functions: Vapor Clean

**ACCESSORIES**

Enamelled deep tray (40mm): 1  
Insert grid: 1  
Rack with back stop: 1





# MICROWAVE OVENS

**FMI425X**

25L MICROWAVE WITH GRILL  
BUILT-IN

**FUNCTIONS****FUNCTIONS & PROGRAMMES**

No. of functions: 5  
Automatic programmes: 8  
Quick start option

**CONTROLS**

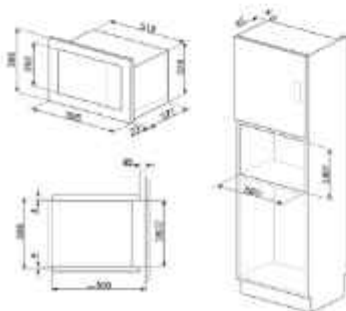
1 a LED  
Electronic  
End cooking  
End of cooking acoustic alarm  
Light when door is opened  
Microwave stops when door is opened  
Microwave screen protection  
Stainless steel

**TECHNICAL FEATURES**

Net volume: 25 l  
Microwave effective power: 900 W  
Nominal power: 1450 W

**ACCESSORIES**

Grid: 1  
Turntable dimensions: 31.5 cm





HOBS

HOBD682R1

**SI2321D**

INDUCTION, UNIVERSAL,  
30 CM, BLACK, STRAIGHT EDGE



**COOKING ZONES**

Front-centre: Ø 14.5 cm, 1.20 kW - 1.60 kW  
Rear-centre: Ø 21.0 cm, 1.50 kW - 2.00 kW

Electrical connection rating (W): 3600 W

**TECHNICAL FEATURES**

Type of control setting: Digi  
Touch Power levels: 9  
End cooking timer: 2  
Residual time indicator  
End of cooking alarm  
Quick start  
Minimum pan diameter indication

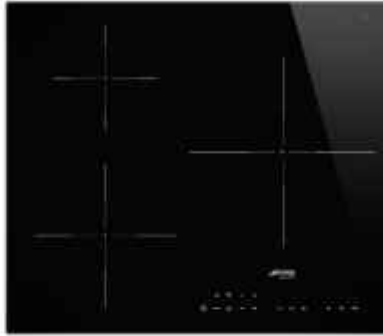
**SAFETY FEATURES**

Control Lock / Child Safety  
Automatic setting according to pan dimension  
pan detection: Yes  
Automatic switch off when overheat  
Residual heat indicator  
Protection against accidental start up



**SI5632D**

60CM INDUCTION,  
BLACK GLASS



**COOKING ZONES**

Front-left: Ø 21 cm, 2.30 kW - 3.70 kW  
Rear-left: Ø 14.5 cm, 1.40 kW - 2.50 kW  
Front-right: Ø 18/28 cm, 1.80 - 2.80 kW - 3.50 - 3.60 kW

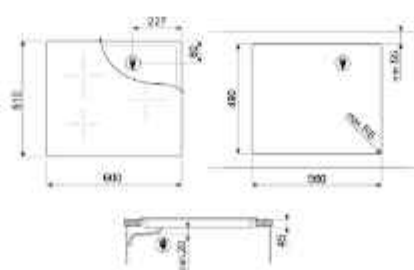
Electrical connection rating (W): 7200 W

**TECHNICAL FEATURES**

Type of control setting: Digi  
Touch Power levels: 14  
End cooking timer: 3  
Residual time indicator  
End of cooking alarm  
Pause option  
Minimum pan diameter indication

**SAFETY FEATURES**

Control Lock / Child Safety  
Automatic setting according to pan dimension  
pan detection: Yes  
Automatic switch off when overheat  
Automatic switch off when overflow



**SI2641DUK**

60CM INDUCTION,  
BLACK GLASS



**COOKING ZONES**

Front-left: Ø 21.0 cm, 1.50 kW - 2.00 kW  
Rear-left: Ø 15.0 cm, 1.20 kW - 1.60 kW  
Rear-right: Ø 21.0 cm, 1.50 kW - 2.00 kW  
Front-right: Ø 15.0 cm, 1.20 kW - 1.60 kW

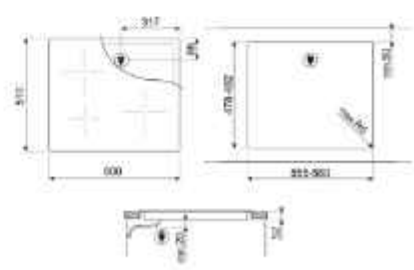
Electrical connection rating (W): 2800 W

**TECHNICAL FEATURES**

Type of control setting: Digi  
Touch Power levels: 9  
End cooking timer: 4  
Residual time indicator  
End of cooking alarm  
Rapid level selection  
Minimum pan diameter indication

**SAFETY FEATURES**

Control Lock / Child Safety  
Automatic setting according to pan dimension  
pan detection: Yes  
Automatic switch off when overheat  
Residual heat indicator  
Protection against accidental start up



**SI964PM**

INDUCTION, VICTORIA,  
60 CM, CREAM, CREAM



**COOKING ZONES**

Front-left: Ø 21.0 cm, 2.30 kW - 3.00 kW  
Rear-left: Ø 16.0 cm, 1.30 kW - 1.40 kW  
Rear-right: Ø 21.0 cm, 2.30 kW - 3.00 kW  
Front-right: Ø 16.0 cm, 1.30 kW - 1.40 kW

Electrical connection rating (W): 7400 W

**TECHNICAL FEATURES**

Type of control setting: Control knobs  
Power levels: 9  
Quick start  
Minimum pan diameter indication

**SAFETY FEATURES**

Control Lock / Child Safety  
Automatic setting according to pan dimension  
pan detection: Yes  
Automatic switch off when overheat  
Residual heat indicator  
Protection against accidental start up



**SI964NM**

INDUCTION, VICTORIA,  
60 CM, BLACK, BLACK



**COOKING ZONES**

Front-left: Ø 21.0 cm, 2.30 kW - 3.00 kW  
Rear-left: Ø 16.0 cm, 1.30 kW - 1.40 kW  
Rear-right: Ø 21.0 cm, 2.30 kW - 3.00 kW  
Front-right: Ø 16.0 cm, 1.30 kW - 1.40 kW

Electrical connection rating (W): 7400 W

**TECHNICAL FEATURES**

Type of control setting: Control knobs  
Power levels: 9  
Quick start  
Minimum pan diameter indication

**SAFETY FEATURES**

Control Lock / Child Safety  
Automatic setting according to pan dimension  
pan detection: Yes  
Automatic switch off when overheat  
Residual heat indicator  
Protection against accidental start up





**PC31GNO**

30 CM GAS HOB,  
BLACK GLASS



**COOKING ZONES**

Central: 6.00 kW

Electrical connection rating (W): 1 W  
Gas connection rating (W): 6200 W

**TECHNICAL FEATURES**

Type of control setting: Control knobs  
Cast iron  
Cast iron wok support  
G30 GPL Liquid gas  
Other gas nozzles included: G110 City gas,  
G20 Natural gas  
Other accessories: Linea control knobs kit

**SAFETY FEATURES**

Gas safety valves  
Automatic Ignition  
Glass on Steel

**PC32GNO**

30 CM GAS HOB,  
BLACK GLASS



**COOKING ZONES**

Front-centre: 1.80 kW  
Rear-centre: 3.00 kW

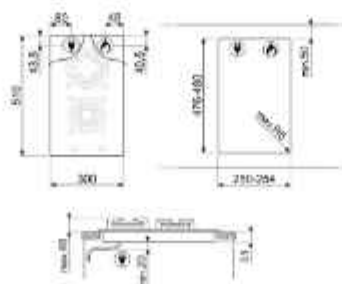
Electrical connection rating (W): 1 W  
Gas connection rating (W): 4800 W

**TECHNICAL FEATURES**

Type of control setting: Control knobs  
Cast iron  
Cast iron wok support  
G30 GPL Liquid gas  
Other gas nozzles included: G110 City gas,  
G20 Natural gas  
Other accessories: Linea control knobs kit

**SAFETY FEATURES**

Gas safety valves  
Automatic Ignition  
Glass on Steel





**PC73GNO**

70/75 CM GAS HOB,  
BLACK GLASS



**COOKING ZONES**

Left: 6.20 kW  
Rear-right: 3.00 kW  
Front-right: 1.80 kW

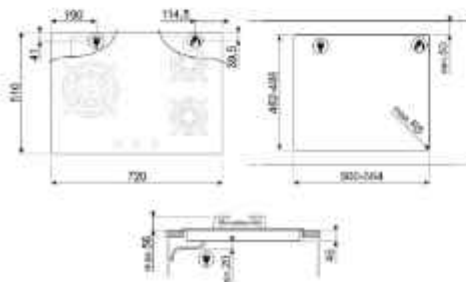
Electrical connection rating (W): 1 W  
Gas connection rating (W): 11000 W

**TECHNICAL FEATURES**

Type of control setting: Control knobs  
Cast iron  
Cast iron wok support  
G30 GPL Liquid gas  
Other gas nozzles included: G110 City gas,  
G20 Natural gas  
Other accessories: Linea control knobs kit

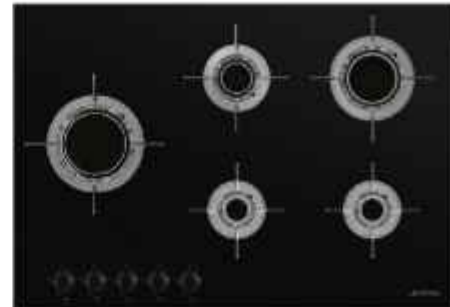
**SAFETY FEATURES**

Gas safety valves  
Automatic Ignition  
Glass on Steel



**PVL675LCN**

70/75 CM GAS HOB,  
BLACK GLASS



**COOKING ZONES**

Centre-left: 3.50 kW  
Rear-centre: 1.60 kW  
Front-centre: 1.00 kW  
Front-right: 1.00 kW  
Rear-right: 2.50 kW

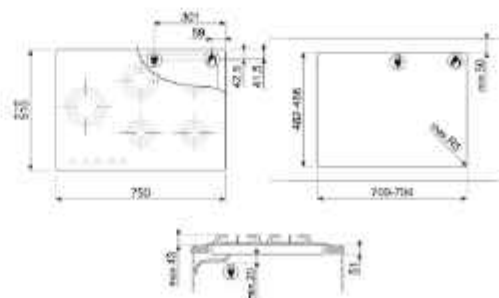
Electrical connection rating (W): 1 W  
Gas connection rating (W): 9600 W

**TECHNICAL FEATURES**

Type of control setting: Control knobs  
Stainless steel  
G20 Natural gas  
Other gas nozzles included: G25 Natural  
gas, G30 GPL Liquid gas

**SAFETY FEATURES**

Gas safety valves  
Automatic Ignition  
Glass on Steel



**PGF31G-1**

30 CM GAS HOB,  
STAINLESS STEEL



**COOKING ZONES**

Central: 5.20 kW

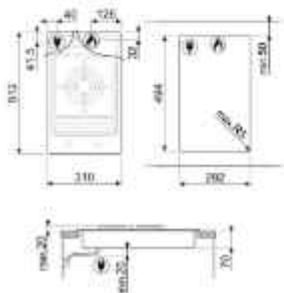
Electrical connection rating (W): 1 W  
Gas connection rating (W): 5200 W

**TECHNICAL FEATURES**

Type of control setting: Control knobs  
Cast iron  
Cast iron wok support  
G20 Natural gas  
Other gas nozzles included: G30 GPL  
Liquid gas, G110 City gas

**SAFETY FEATURES**

Gas safety valves  
Automatic Ignition



**PGF32G**

30 CM GAS HOB,  
STAINLESS STEEL



**COOKING ZONES**

Front-centre: 1.05 kW  
Rear-centre: 2.50 kW

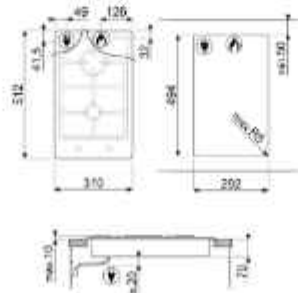
Electrical connection rating (W): 1 W  
Gas connection rating (W): 3550 W

**TECHNICAL FEATURES**

Type of control setting: Control knobs  
Cast iron  
G20 Natural gas  
Other gas connection included: Conical

**SAFETY FEATURES**

Gas safety valves  
Automatic Ignition



**SRV531GH5**

30 CM GAS HOB,  
STAINLESS STEEL



**COOKING ZONES**

Central: 5.00 kW

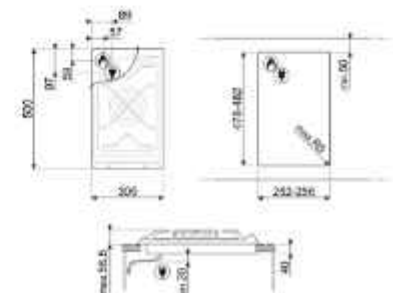
Electrical connection rating (W): 1 W  
Gas connection rating (W): 5000 W

**TECHNICAL FEATURES**

Type of control setting: Control knobs  
Cast iron  
G20 Natural gas  
Other gas nozzles included: G30 GPL  
Liquid gas

**SAFETY FEATURES**

Gas safety valves  
Automatic Ignition



**SRV532GH3**

30 CM GAS HOB,  
STAINLESS STEEL



**COOKING ZONES**

Front-centre: 1.10 kW  
Rear-centre: 3.30 kW

Electrical connection rating (W): 1 W  
Gas connection rating (W): 4400 W

**TECHNICAL FEATURES**

Type of control setting: Control knobs  
Cast iron  
G20 Natural gas  
Other gas nozzles included: G30 GPL  
Liquid gas

**SAFETY FEATURES**

Gas safety valves  
Automatic Ignition

**SER60SGH3**

60CM GAS HOB, STAINLESS  
STEEL



**COOKING ZONES**

Left: 3.90 kW  
Rear-centre: 1.70 kW  
Front-centre: 1.10 kW  
Right: 2.60 kW

Electrical connection rating (W): 1 W  
Gas connection rating (W): 9300 W

**TECHNICAL FEATURES**

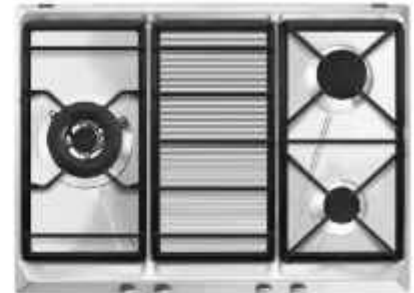
Type of control setting: Control knobs  
Cast iron  
G20 Natural gas  
Other gas nozzles included: G30 GPL  
Liquid gas

**SAFETY FEATURES**

Gas safety valves  
Automatic Ignition

**SRV573XG**

70/75 CM GAS HOB,  
STAINLESS STEEL



**COOKING ZONES**

Left: 5.00 kW  
Rear-right: 2.55 kW  
Front-right: 1.65 kW

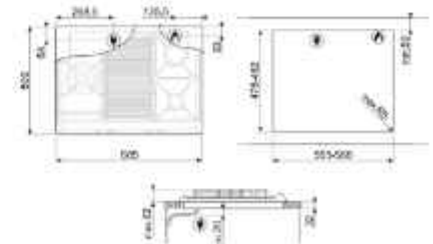
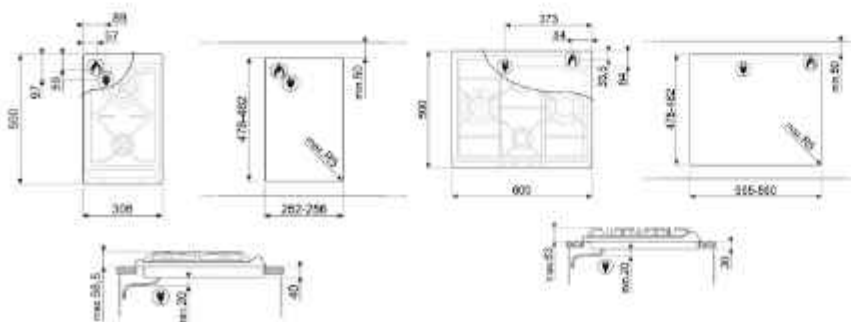
Electrical connection rating (W): 1 W  
Gas connection rating (W): 9150 W

**TECHNICAL FEATURES**

Type of control setting: Control knobs  
Cast iron  
Wok stand: 1  
G1.10 City gas  
Other gas nozzles included: G30 GPL  
Liquid gas, G20 Natural gas

**SAFETY FEATURES**

Gas safety valves  
Automatic Ignition



**SR973PGHSG**

70/75 CM GAS HOB,  
VICTORIA



**COOKING ZONES**

Left: 4.40 kW  
Rear-right: 1.50 kW  
Front-right: 2.40 kW

Electrical connection rating (W): 1 W  
Gas connection rating (W): 9300 W

**TECHNICAL FEATURES**

Type of control setting: Control knobs  
Cast iron  
Wok stand: 1  
G110 City gas  
Other gas nozzles included: G30 GPL  
Liquid gas

**SAFETY FEATURES**

Gas safety valves  
Automatic  
Ignition

**SR973NGHSG**

70/75 CM GAS HOB,  
VICTORIA



**COOKING ZONES**

Left: 4.40 kW  
Rear-right: 1.50 kW  
Front-right: 2.40 kW

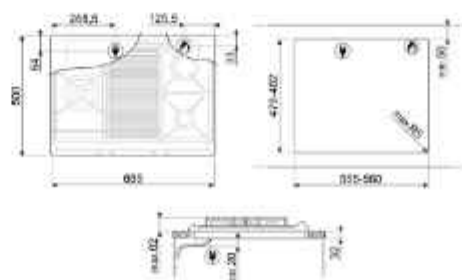
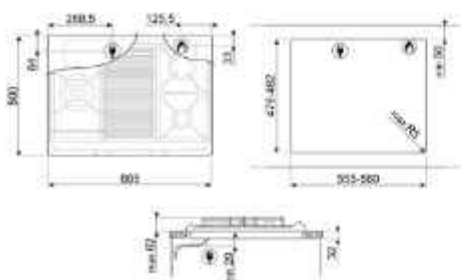
Electrical connection rating (W): 1 W  
Gas connection rating (W): 9300 W

**TECHNICAL FEATURES**

Type of control setting: Control knobs  
Cast iron  
Wok stand: 1  
G110 City gas  
Other gas nozzles included: G30 GPL  
Liquid gas

**SAFETY FEATURES**

Gas safety valves  
Automatic  
Ignition





# HOODS

KSET9XE2

**KT90BLE**

90 CM WALL HOOD, VICTORIA, BLACK

**CHARACTERISTICS**

Air flow at minimum speed (Qmin): 334 m<sup>3</sup>/h  
 Measured air flow rate at best efficiency point (Qbep): 438 m<sup>3</sup>/h  
 Air flow at maximum speed (Qmax): 567 m<sup>3</sup>/h  
 Air flow at boost speed (Qboost): 788 m<sup>3</sup>/h

**PROGRAMME / FUNCTIONS**

No. of speeds: 3  
 Intensive speed

**CONTROLS**

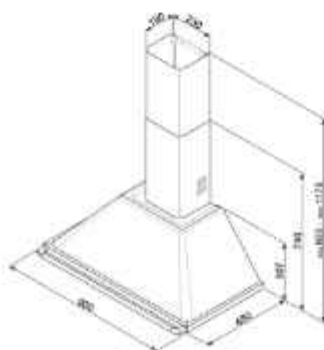
Control knobs

**TECHNICAL FEATURES**

Vent outlet:  
 150 mm Non return valve

**PERFORMANCE / ENERGY LABEL**

Energy efficiency class (EEC): A  
 Fluid Dynamic Efficiency class (FDEC): A  
 Lighting Efficiency Class (LEC): A  
 Grease Filtering Efficiency Class (GFEC): C  
 Free outlet maximum capacity: 820 m<sup>3</sup>/h  
 Electrical connection rating: 278 W

**KT90PE**

90 CM WALL HOOD, VICTORIA, CREAM

**CHARACTERISTICS**

Air flow at minimum speed (Qmin): 334 m<sup>3</sup>/h  
 Measured air flow rate at best efficiency point (Qbep): 438 m<sup>3</sup>/h  
 Air flow at maximum speed (Qmax): 567 m<sup>3</sup>/h  
 Air flow at boost speed (Qboost): 788 m<sup>3</sup>/h

**PROGRAMME / FUNCTIONS**

No. of speeds: 3  
 Intensive speed

**CONTROLS**

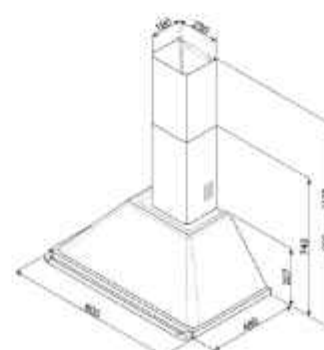
Control knobs

**TECHNICAL FEATURES**

Vent outlet:  
 150 mm Non return valve

**PERFORMANCE / ENERGY LABEL**

Energy efficiency class (EEC): A  
 Fluid Dynamic Efficiency class (FDEC): A  
 Lighting Efficiency Class (LEC): A  
 Grease Filtering Efficiency Class (GFEC): C  
 Free outlet maximum capacity: 820 m<sup>3</sup>/h  
 Electrical connection rating: 278 W



**KD90HXE**

90 CM WALL HOOD, STAINLESS STEEL

**CHARACTERISTICS**

No. of speeds	I	II	III	INT
Extraction rate IEC 61591 m <sup>3</sup> /h	288	421	630	781
Noise level IEC 60704-2-13 dB(A)	48	63	67	72

**PROGRAMME / FUNCTIONS**

No. of speeds: 3  
Intensive speed

**CONTROLS**

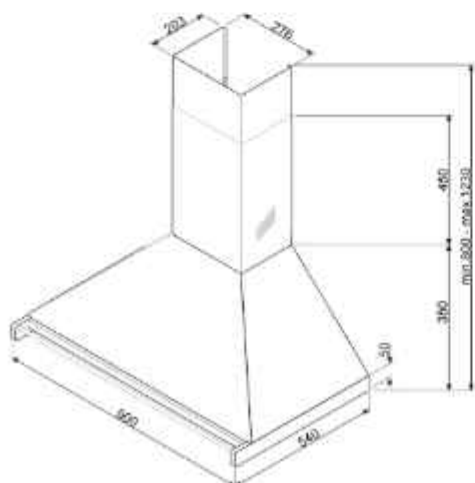
Control knobs

**TECHNICAL FEATURES**

Vent outlet: 150 mm  
Non return valve

**PERFORMANCE / ENERGY LABEL**

Energy efficiency class (EEC): A+  
Fluid Dynamic Efficiency class (FDEC): A  
Lighting Efficiency Class (LEC): A  
Grease Filtering Efficiency Class (GFEC): C  
Free outlet maximum capacity: 815 m<sup>3</sup>/h  
Electrical connection rating: 277 W

**KBT900XE**

90 CM WALL HOOD, STAINLESS STEEL

**CHARACTERISTICS**

No. of speeds	I	II	III	INT
Extraction rate IEC 61591 m <sup>3</sup> /h	265	360	480	713
Noise level IEC 60704-2-13 dB(A)	47	55	62	72

**PROGRAMME / FUNCTIONS**

No. of speeds: 3  
Intensive speed  
24h air filter function  
Time-setting options  
Filter replacement indicator

**CONTROLS**

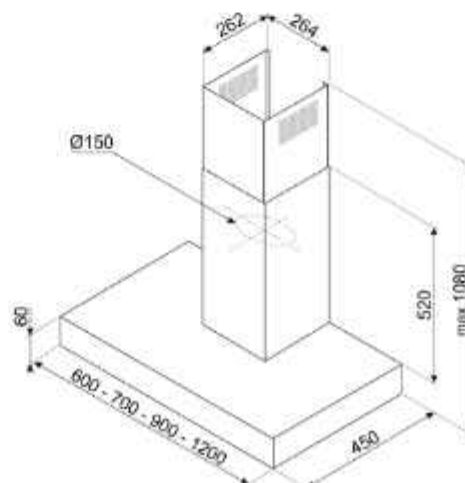
Electronic buttons

**TECHNICAL FEATURES**

Vent outlet: 150 mm  
Non return valve  
Tube reduction

**PERFORMANCE / ENERGY LABEL**

Energy efficiency class (EEC): A  
Fluid Dynamic Efficiency class (FDEC): A  
Lighting Efficiency Class (LEC): A  
Grease Filtering Efficiency Class (GFEC): C  
Free outlet maximum capacity: 730 m<sup>3</sup>/h  
Electrical connection rating: 230 W



**KBT9L4VN**

90 CM WALL HOOD, STAINLESS STEEL & BLACK GLASS

**CHARACTERISTICS**

No. of speeds	I	II	III	INT
Extraction rate IEC 61591 m <sup>3</sup> /h	252	341	453	705
Noise level IEC 60704-2-13 dB(A)	48	55	62	72

**PROGRAMME / FUNCTIONS**

No. of speeds: 3  
 Intensive speed  
 24h air filter function  
 Time-setting options  
 Dimmer mode  
 Filter replacement indicator

**CONTROLS**

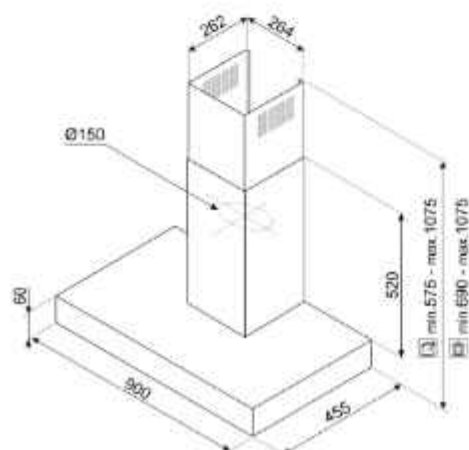
Touch control back-lighted White

**TECHNICAL FEATURES**

Vent outlet: 150 mm  
 Non return valve  
 Tube reduction

**PERFORMANCE / ENERGY LABEL**

Energy efficiency class (EEC): A  
 Fluid Dynamic Efficiency class (FDEC): A  
 Lighting Efficiency Class (LEC): A  
 Grease Filtering Efficiency Class (GFEC): D  
 Free outlet maximum capacity: 730 m<sup>3</sup>/h  
 Electrical connection rating: 238 W





**KSET6XE2**

60 CM INTEGRATED (SEMI) HOOD, STAINLESS STEEL

**CHARACTERISTICS**

No. of speeds	I	II	III
Extraction rate IEC 61591 m <sup>3</sup> /h	240	368	581
Noise level IEC 60704-2-13 dB(A)	44	54	65

**PROGRAMME / FUNCTIONS**

No. of speeds: 3

**CONTROLS**

Slider

**TECHNICAL FEATURES**

Vent outlet: 150 mm

Filters included

**PERFORMANCE / ENERGY LABEL**

Energy efficiency class (EEC): B

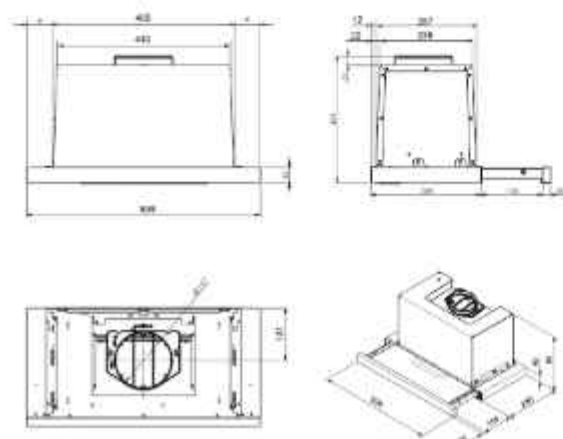
Fluid Dynamic Efficiency class (FDEC): C

Lighting Efficiency Class (LEC): A

Grease Filtering Efficiency Class (GFEC): C

Free outlet maximum capacity: 603 m<sup>3</sup>/h

Electrical connection rating: 181 W

**KSET66VNE2**

60 CM INTEGRATED (SEMI) HOOD

**CHARACTERISTICS**

No. of speeds	I	II	III
Extraction rate IEC 61591 m <sup>3</sup> /h	295	435	580
Noise level IEC 60704-2-13 dB(A)	52	61	68

**PROGRAMME / FUNCTIONS**

No. of speeds: 3

**CONTROLS**

Slider

**TECHNICAL FEATURES**

Vent outlet: 150 mm

Filters included

**PERFORMANCE/ ENERGY LEVEL**

Energy efficiency class (EEC): C

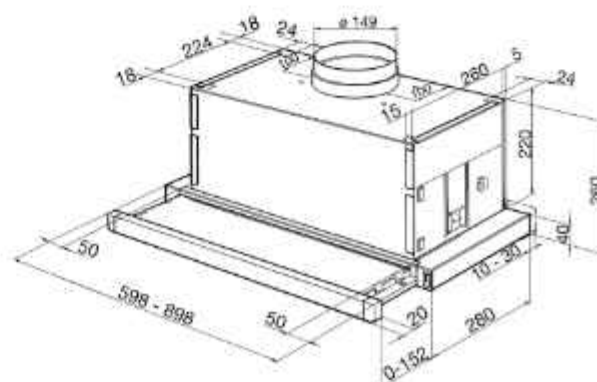
Fluid Dynamic Efficiency class (FDEC): D

Lighting Efficiency Class (LEC): A

Grease Filtering Efficiency Class (GFEC): C

Free outlet maximum capacity: 620 m<sup>3</sup>/h

Electrical connection rating: 142 W



### KSG70HPE

72 CM INTEGRATED HOOD



#### CHARACTERISTICS

No. of speeds	I	II	III
Extraction rate IEC 61591 m <sup>3</sup> /h	232	356	584
Noise level IEC 60704-2-13 dB(A)	44	53	63

#### PROGRAMME / FUNCTIONS

No. of speeds: 3  
Filter replacement indicator

#### CONTROLS

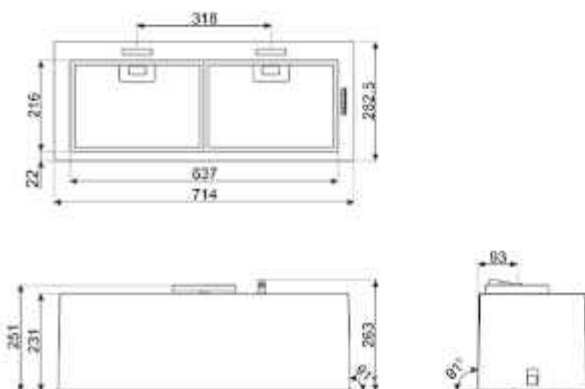
Buttons

#### TECHNICAL FEATURES

Vent outlet: 150 mm  
Charcoal filters included

#### PERFORMANCE / ENERGY LEVEL

Energy efficiency class (EEC): B  
Fluid Dynamic Efficiency class (FDEC): C  
Lighting Efficiency Class (LEC): A  
Grease Filtering Efficiency Class (GFEC): C  
Free outlet maximum capacity: 580 m<sup>3</sup>/h  
Electrical connection rating: 285 W



### KSET9XE2

90 CM INTEGRATED HOOD



#### CHARACTERISTICS

No. of speeds	I	II	III
Extraction rate IEC 61591 m <sup>3</sup> /h	240	368	581
Noise level IEC 60704-2-13 dB(A)	44	54	65

#### PROGRAMME / FUNCTIONS

No. of speeds: 3

#### CONTROLS

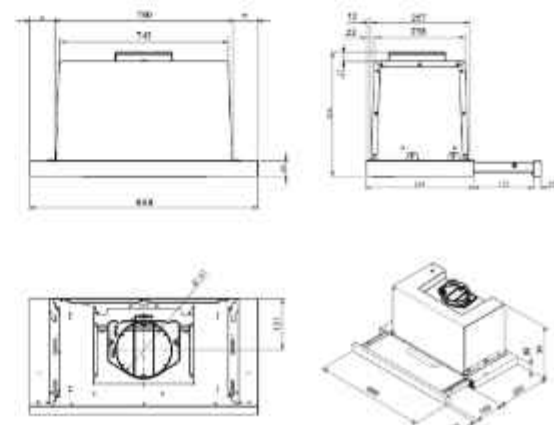
Slider

#### TECHNICAL FEATURES

Vent outlet: 150 mm  
Non return valve  
Filters included

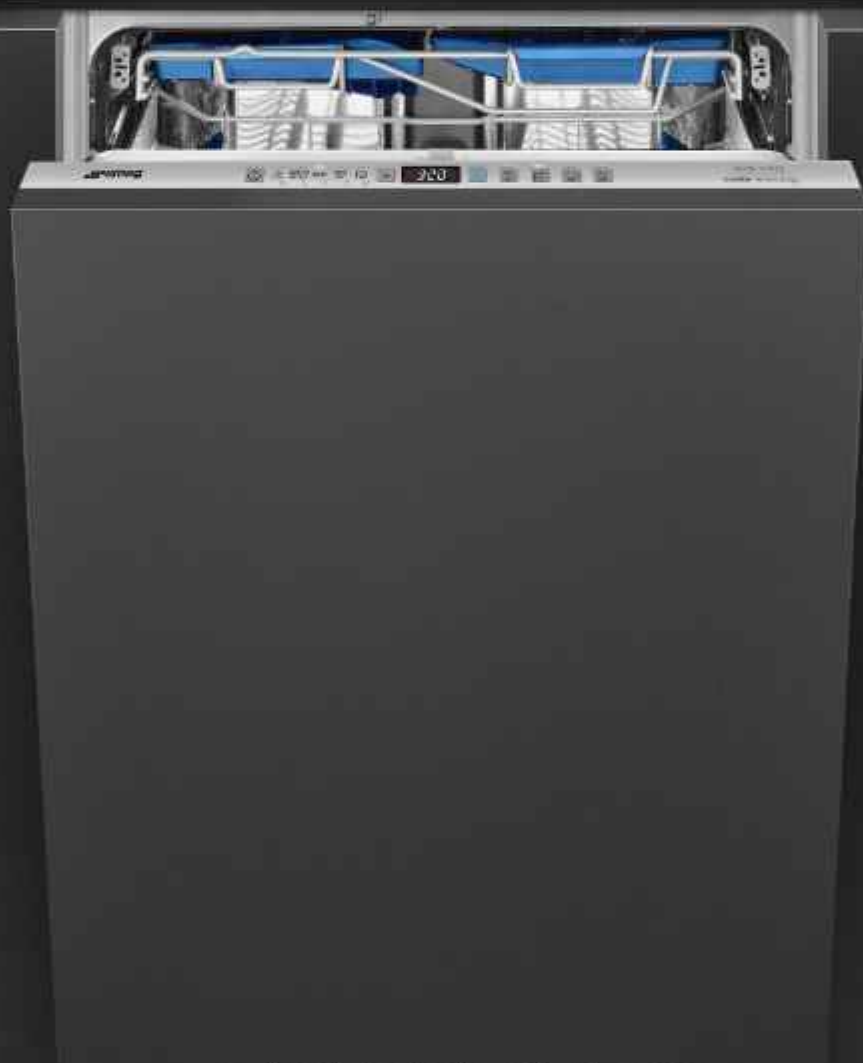
#### PERFORMANCE / ENERGY LABEL

Energy efficiency class (EEC): B  
Fluid Dynamic Efficiency class (FDEC): C  
Lighting Efficiency Class (LEC): A  
Grease Filtering Efficiency Class (GFEC): C  
Free outlet maximum capacity: 600 m<sup>3</sup>/h  
Electrical connection rating: 215 W









# DISHWASHERS

STL333CL

**STL251C**

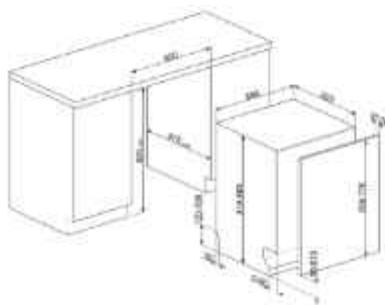
BUILT-IN DISHWASHER

**PROGRAMS / FUNCTIONS**

No. of programmes: 5  
 Washing temperatures: 45, 50, 65, 75 °C  
 Extra dry option  
 Delay timer option: 3-6-9 hours  
 Acoustic signal

**TECHNICAL FEATURES**

N° baskets: 2  
 Upper Basket: With central fixed racks  
 Largest loadable dish in upper basket: 25cm  
 Height adjustment of the upper basket: On three levels (5cm)  
 Lower Basket: With 2 foldable racks  
 Largest loadable dish in lower basket: 30cm  
 Lower basket with anti-drip inserts  
 Single; cold/hot water max. 60°C - energysave with hot water up to 35%  
 Orbital  
 Self balancing, Sliding, FLEXIFIT

**STL333CL**

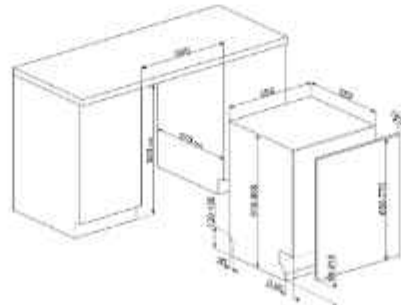
BUILT-IN DISHWASHER

**PROGRAMS / FUNCTIONS**

No. of programmes: 10+1  
 Washing temperatures: 38, 45, 50, 55, 65, 70, 75 °C  
 1/2 load FlexiZone option  
 Delay timer option: Up to 24 hours  
 ActiveLight

**TECHNICAL FEATURES**

N° baskets: 3, FlexiDuo  
 Upper Basket: With 1 foldable rack  
 Largest loadable dish in upper basket: 19cm  
 Height adjustment of the upper basket: On three levels (5 cm)  
 Lower Basket: With 2 foldable racks  
 Largest loadable dish in lower basket: 30cm  
 Lower basket with anti-drip inserts  
 Single; cold/hot water max. 60°C - energysave with hot water up to 35%  
 Planetarium  
 Self balancing, Sliding, FLEXIFIT

**LVS254CB**

FREESTANDING DISHWASHER

**PROGRAMS / FUNCTIONS**

No. of programmes: 10+1  
 Washing temperatures: 38, 45, 50, 55, 65, 70, 75 °C  
 1/2 load FlexiZone option  
 Delay timer option: Up to 24 hours  
 On display, with acoustic signal

**TECHNICAL FEATURES**

N° baskets: 2  
 Upper Basket: With 1 foldable rack  
 Largest loadable dish in upper basket: 25cm  
 Height adjustment of the upper basket: On three levels (5 cm)  
 Lower Basket: With 2 foldable racks  
 Largest loadable dish in lower basket: 30cm  
 Lower basket with anti-drip inserts  
 Single; cold/hot water max. 60°C - energysave with hot water up to 35%  
 Planetarium  
 Self balancing with fixed hinges

