



2024 Catalogue

CONTENT

Ovens	04
Microwave Ovens	11
Hobs	13
Hoods	22
Freestanding Cookers	28
Dishwasher	30



OVENS

SO6606APNR

SO6606WAPNR
OMNICHEF



FUNCTIONS



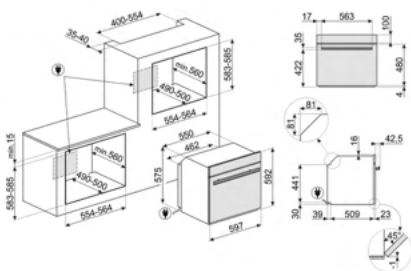
60cm
 Net volume of the cavity: 68 l
 Display name: VivoScreen max
 Steam 100 pro
 Steam range: 20 - 100%
 Water loading: Fill&Hide, automatic
 No. of cooking functions: 26
 Automatic programmes: 150
 Customisable recipes: 10
 Multi-step cooking: Yes, up to 3 steps
 Temperature probe
 Rapid pre-heating
 DeltaT cooking
 SameTime
 End of cooking acoustic alarm
 Microwave effective power: 900 W
 Stirrer
 Inverter
 Nominal power: 3000 W
 Tank capacity: 2 l

MAINTENANCE

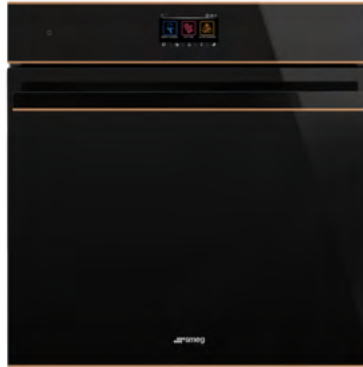
Ever clean Enamel
 Cleaning functions: Vapor Clean

ACCESSORIES

Premium rack: 2
 St/steel tray (20mm): 1
 St/steel perforated deep tray (40mm): 1
 Grill mesh: 1
 Glass tray: 1
 Telescopic Guide rails, total Extraction (inox): 1
 Enamelled deep tray (50mm): 1



SO6604S4PNR
STEAM100 PRO



FUNCTIONS



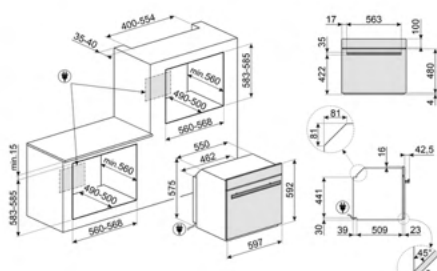
60cm
 Net volume of the cavity: 68 l
 Display name: VivoScreen
 Steam range: 20 - 100%
 Water loading: Fill & Hide, automatic
 No. of cooking functions: 20
 Automatic programmes: 150
 Customisable recipes: 10
 Multi-step cooking: Yes, up to 2 steps
 Temperature probe
 Rapid pre-heating
 DeltaT cooking
 SameTime
 End of cooking acoustic alarm
 Nominal power: 3000 W
 Tank capacity: 2 l

MAINTENANCE

Ever clean Enamel
 Cleaning functions: Vapor Clean

ACCESSORIES

St/steel tray (20mm): 1
 St/steel perforated deep tray (40mm): 1
 Insert grid: 1
 Telescopic Guide rails, total extraction (inox): 1
 Enamelled deep tray (50mm): 1



SOP6604TPNR
TRADITIONAL PYRO



FUNCTIONS



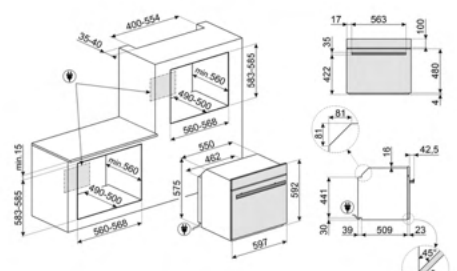
60cm
 Net volume of the cavity: 68 l
 Display name: VivoScreen
 No. of cooking functions: 10
 Automatic programmes: 150
 Customisable recipes: 10
 Multi-step cooking: Yes, up to 2 steps
 Temperature probe
 Rapid pre-heating
 DeltaT cooking
 SameTime
 End of cooking acoustic alarm
 Nominal power: 3000 W

MAINTENANCE

Ever clean Enamel
 Cleaning functions: Pyrolytic

ACCESSORIES

Enamelled tray (20mm): 1
 Insert grid: 1
 Telescopic Guide rails, total extraction: 1
 Enamelled deep tray (50mm): 1



S06302S3PX
STEAM100



FUNCTIONS



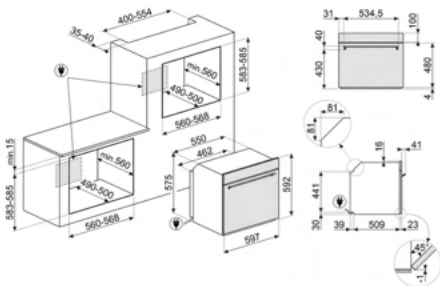
60cm
 Net volume of the cavity: 67 l
 Display name: EvoScreen
 Steam range: 20 - 100%
 Water loading: Drawer, manual
 No. of cooking functions: 12
 Temperature probe
 Rapid pre-heating
 End of cooking acoustic alarm
 Nominal power: 3000 W
 Tank capacity: 0.8L

MAINTENANCE

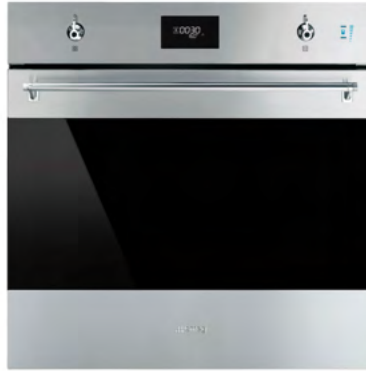
Ever clean Enamel
 Cleaning functions: Vapor Clean

ACCESSORIES

St/steel tray (20mm): 1
 St/steel perforated deep tray (40mm): 1
 Insert grid: 1
 Rack with back stop: 1
 Enamelled deep tray (50mm): 1



S06301S2X
STEAMONE



FUNCTIONS



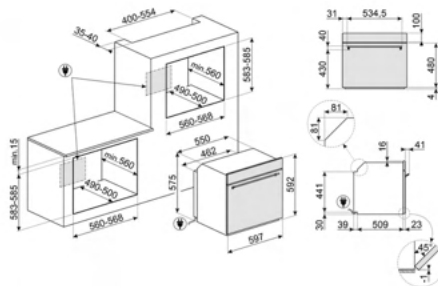
60cm
 Net volume of the cavity: 68 l
 Display name: CompactScreen
 Steam range: 20 - 40%
 Water loading: Drawer, manual
 No. of cooking functions: 11
 Rapid pre-heating
 End of cooking acoustic alarm
 Nominal power: 3000 W
 Tank capacity: 0.8L

MAINTENANCE

Ever clean Enamel
 Cleaning functions: Vapor Clean

ACCESSORIES

Insert grid: 1
 Rack with back stop: 1
 Enamelled deep tray (50mm): 1



S06302M2X
SPEEDWAVEXL



FUNCTIONS



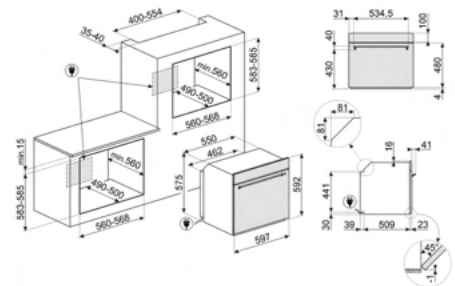
60cm
 Net volume of the cavity: 68 l
 Display name: EvoScreen
 No. of cooking functions: 11
 Rapid pre-heating
 End of cooking acoustic alarm
 Microwave effective power: 900 W
 Stirrer: Yes
 Inverter
 Nominal power: 3000 W

MAINTENANCE

Ever clean Enamel
 Cleaning functions: Vapor Clean

ACCESSORIES

Glass tray: 1
 Insert grid: 1
 Rack with back stop: 1
 Telescopic Guide rails, partial extraction: 1
 Enamelled deep tray (50mm): 1



SOP6302TX
TRADITIONAL PYRO
(MULTIFUNCTION)



FUNCTIONS



60cm
Net volume of the cavity: 68 l
Display name: EvoScreen
No. of cooking functions: 10
Rapid pre-heating
End of cooking acoustic alarm
Nominal power: 3000 W

MAINTENANCE

Ever clean Enamel
Cleaning functions: Pyrolytic

ACCESSORIES

Enamelled tray (20mm): 1
Insert grid: 1
Rack with back stop: 1
Telescopic Guide rails, partial extraction: 1
Enamelled deep tray (50mm): 1

S06302TX
TRADITIONAL
(MULTIFUNCTION)



FUNCTIONS



60cm
Net volume of the cavity: 68 l
Display name: EvoScreen
No. of cooking functions: 10
Rapid pre-heating
End of cooking acoustic alarm
Nominal power: 3000 W

MAINTENANCE

Ever clean Enamel
Cleaning functions: Vapor Clean

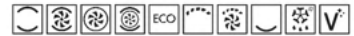
ACCESSORIES

Enamelled tray (20mm): 1
Insert grid: 1
Rack with back stop: 1
Telescopic Guide rails, partial extraction: 1
Enamelled deep tray (50mm): 1

SF6300TVX
TRADITIONAL
(THERMO-VENTILATED)



FUNCTIONS



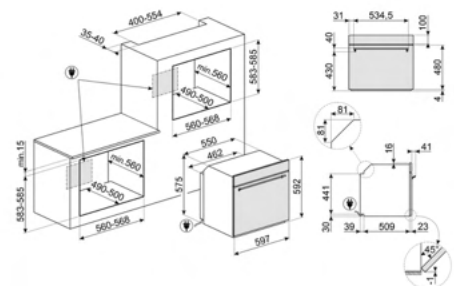
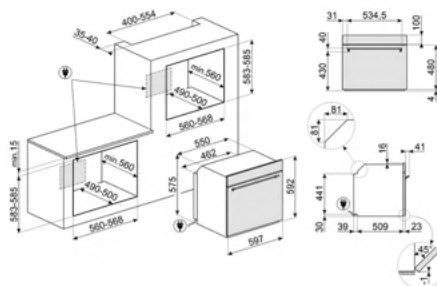
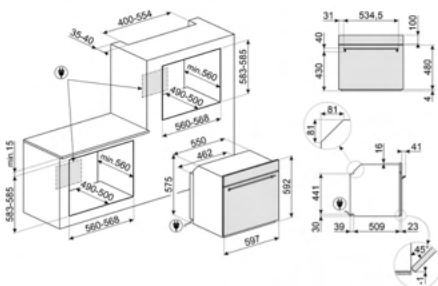
60cm
Net volume of the cavity: 70 l
Display name: DigiScreen
No. of cooking functions: 8
Rapid pre-heating
End of cooking acoustic alarm
Nominal power: 3000 W

MAINTENANCE

Ever clean Enamel
Cleaning functions: Vapor Clean

ACCESSORIES

Enamelled deep tray (40mm): 1
Insert grid: 1
Rack with back stop: 1



SF6381X
TRADITIONAL
(FAN-ASSISTED)



FUNCTIONS



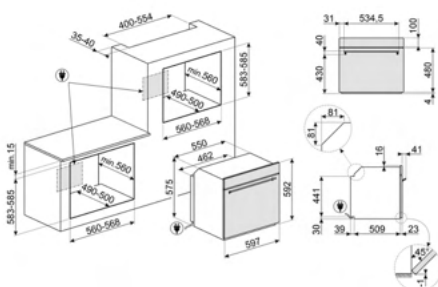
60cm
 Net volume of the cavity: 70 l
 No. of cooking functions: 6
 End of cooking acoustic alarm
 Nominal power: 3000 W

MAINTENANCE

Ever clean Enamel

ACCESSORIES

Enamelled deep tray (40mm): 1
 Rack with back stop: 1



SOP6902S2PP
 PYRO STEAM
 (STEAM ASSIST)



FUNCTIONS



60cm
 Net volume of the cavity: 68 l
 Display name: EvoScreen
 Steam range: 20 - 40%
 Water loading: Drawer, manual
 No. of cooking functions: 12
 Temperature probe
 Rapid pre-heating
 End of cooking acoustic alarm
 Nominal power: 3000 W
 Tank capacity: 0.8 l

MAINTENANCE

Ever clean Enamel
 Cleaning functions: Pyrolytic

ACCESSORIES

Enamelled tray (20mm): 1
 Insert grid: 1
 Rack with back stop: 1
 Enamelled deep tray (50mm): 1

SOP6902S2PN
 PYRO STEAM
 (STEAM ASSIST)



FUNCTIONS



60cm
 Net volume of the cavity: 68 l
 Display name: EvoScreen
 Steam range: 20 - 40%
 Water loading: Drawer, manual
 No. of cooking functions: 12
 Temperature probe
 Rapid pre-heating
 End of cooking acoustic alarm
 Nominal power: 3000 W
 Tank capacity: 0.8 l

MAINTENANCE

Ever clean Enamel
 Cleaning functions: Pyrolytic

ACCESSORIES

Enamelled tray (20mm): 1
 Insert grid: 1
 Rack with back stop: 1
 Enamelled deep tray (50mm): 1

SOP6900TP
 TRADITIONAL PYRO
 (MULTIFUNCTION)



FUNCTIONS



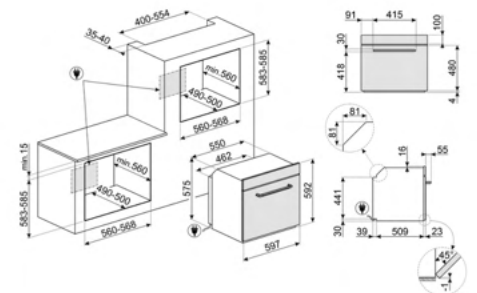
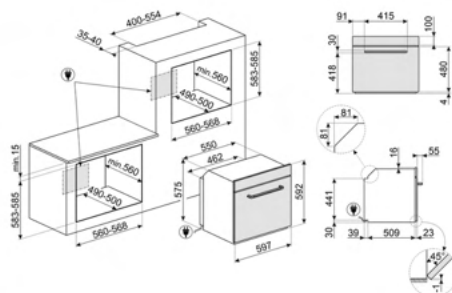
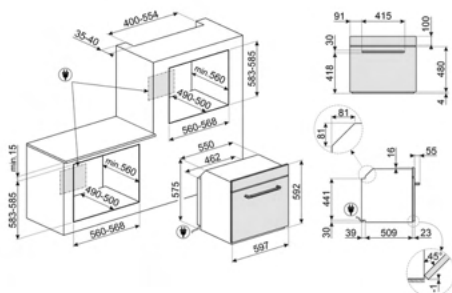
60cm
 Net volume of the cavity: 68 l
 Display name: DigiScreen
 No. of cooking functions: 9
 Rapid pre-heating
 End of cooking acoustic alarm
 Nominal power: 3000 W

MAINTENANCE

Ever clean Enamel
 Cleaning functions: Pyrolytic

ACCESSORIES

Rack with back stop: 1
 Enamelled deep tray (50mm): 1



SOP6900TN
TRADITIONAL PYRO
(MULTIFUNCTION)



FUNCTIONS



60cm
Net volume of the cavity: 68 l
Display name: DigiScreen
No. of cooking functions: 9
Rapid pre-heating
End of cooking acoustic alarm
Nominal power: 3000 W

MAINTENANCE

Ever clean Enamel
Cleaning functions: Pyrolytic

ACCESSORIES

Rack with back stop: 1
Enamelled deep tray (50mm): 1

SF6905P1
TRADITIONAL
(THERMO-VENTILATED)



FUNCTIONS



60cm
Net volume of the cavity: 70 l
No. of cooking functions: 8
End of cooking acoustic alarm
Nominal power: 3000 W

MAINTENANCE

Ever clean Enamel
Cleaning functions: Vapor Clean

ACCESSORIES

Enamelled deep tray (40mm): 1
Insert grid: 1
Rack with back stop: 1

SF6905N1
TRADITIONAL
(THERMO-VENTILATED)



FUNCTIONS



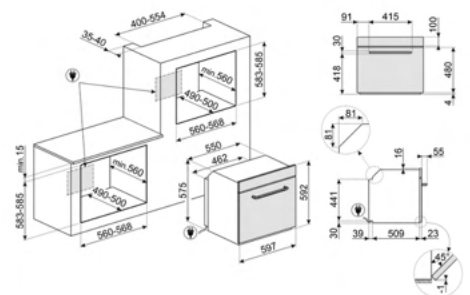
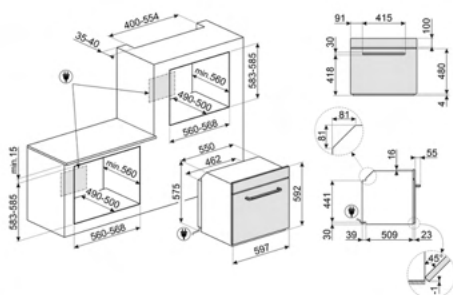
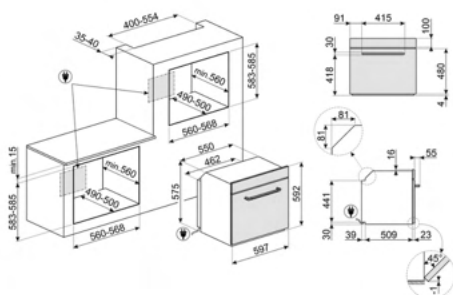
60cm
Net volume of the cavity: 70 l
No. of cooking functions: 8
End of cooking acoustic alarm
Nominal power: 3000 W

MAINTENANCE

Ever clean Enamel
Cleaning functions: Vapor Clean

ACCESSORIES

Enamelled deep tray (40mm): 1
Insert grid: 1
Rack with back stop: 1





MICROWAVE OVENS

FMI425X

FMI425X

25L MICROWAVE WITH GRILL
BUILT-IN



FUNCTIONS



FUNCTIONS & PROGRAMMES

No. of functions: 5
Automatic programmes: 8
Quick start option

CONTROLS

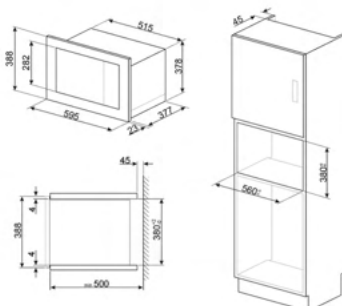
1 a LED
Electronic
End cooking
End of cooking acoustic alarm
Light when door is opened
Microwave stops when door is opened
Microwave screen protection
Stainless steel

TECHNICAL FEATURES

Net volume: 25 l
Microwave effective power: 900 W
Nominal power: 1450 W

ACCESSORIES

Grid: 1
Turntable dimensions: 31.5 cm



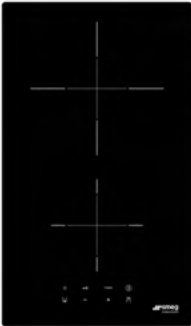


HOBS

HOBD682R1

SI2321D

INDUCTION, UNIVERSAL,
30 CM, BLACK, STRAIGHT EDGE



COOKING ZONES

Front-centre: Ø 14.5 cm, 1.20 kW - 1.60 kW
Rear-centre: Ø 21.0 cm, 1.50 kW - 2.00 kW

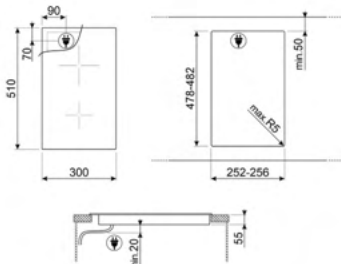
Electrical connection rating (W): 3600 W

TECHNICAL FEATURES

Type of control setting: Digi
Touch Power levels: 9
End cooking timer: 2
Residual time indicator
End of cooking alarm
Quick start
Minimum pan diameter indication

SAFETY FEATURES

Control Lock / Child Safety
Automatic setting according to pan dimension
pan detection: Yes
Automatic switch off when overheat
Residual heat indicator
Protection against accidental start up



SI5632D

60CM INDUCTION,
BLACK GLASS



COOKING ZONES

Front-left: Ø 21 cm, 2.30 kW - 3.70 kW
Rear-left: Ø 14.5 cm, 1.40 kW - 2.50 kW
Front-right: Ø 18/28 cm, 1.80 - 2.80 kW - 3.50 - 3.60 kW

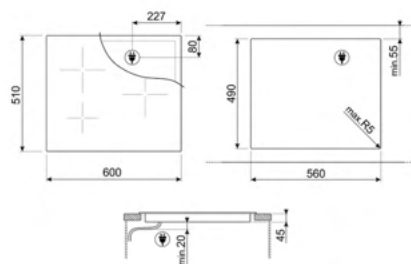
Electrical connection rating (W): 7200 W

TECHNICAL FEATURES

Type of control setting: Digi
Touch Power levels: 14
End cooking timer: 3
Residual time indicator
End of cooking alarm
Pause option
Minimum pan diameter indication

SAFETY FEATURES

Control Lock / Child Safety
Automatic setting according to pan dimension
pan detection: Yes
Automatic switch off when overheat
Automatic switch off when overflow



SI2641DUK

60CM INDUCTION,
BLACK GLASS



COOKING ZONES

Front-left: Ø 21.0 cm, 1.50 kW - 2.00 kW
Rear-left: Ø 15.0 cm, 1.20 kW - 1.60 kW
Rear-right: Ø 21.0 cm, 1.50 kW - 2.00 kW
Front-right: Ø 15.0 cm, 1.20 kW - 1.60 kW

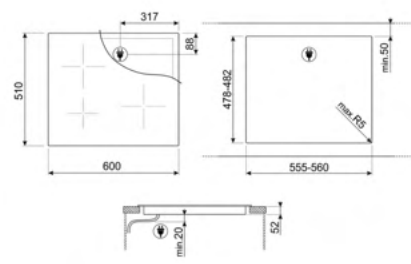
Electrical connection rating (W): 2800 W

TECHNICAL FEATURES

Type of control setting: Digi
Touch Power levels: 9
End cooking timer: 4
Residual time indicator
End of cooking alarm
Rapid level selection
Minimum pan diameter indication

SAFETY FEATURES

Control Lock / Child Safety
Automatic setting according to pan dimension
pan detection: Yes
Automatic switch off when overheat
Residual heat indicator
Protection against accidental start up



SI964PM

INDUCTION, VICTORIA,
60 CM, CREAM, CREAM



COOKING ZONES

Front-left: Ø 21.0 cm, 2.30 kW - 3.00 kW
Rear-left: Ø 16.0 cm, 1.30 kW - 1.40 kW
Rear-right: Ø 21.0 cm, 2.30 kW - 3.00 kW
Front-right: Ø 16.0 cm, 1.30 kW - 1.40 kW

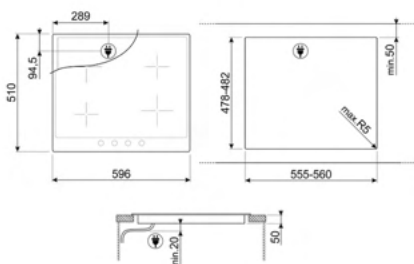
Electrical connection rating (W): 7400 W

TECHNICAL FEATURES

Type of control setting: Control knobs
Power levels: 9
Quick start
Minimum pan diameter indication

SAFETY FEATURES

Control Lock / Child Safety
Automatic setting according to pan dimension
pan detection: Yes
Automatic switch off when overheat
Residual heat indicator
Protection against accidental start up



SI964NM

INDUCTION, VICTORIA,
60 CM, BLACK, BLACK



COOKING ZONES

Front-left: Ø 21.0 cm, 2.30 kW - 3.00 kW
Rear-left: Ø 16.0 cm, 1.30 kW - 1.40 kW
Rear-right: Ø 21.0 cm, 2.30 kW - 3.00 kW
Front-right: Ø 16.0 cm, 1.30 kW - 1.40 kW

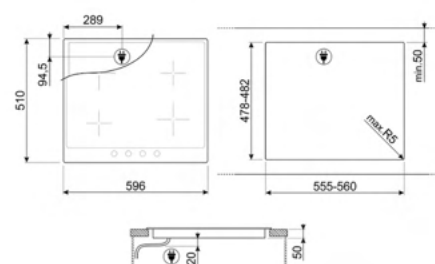
Electrical connection rating (W): 7400 W

TECHNICAL FEATURES

Type of control setting: Control knobs
Power levels: 9
Quick start
Minimum pan diameter indication

SAFETY FEATURES

Control Lock / Child Safety
Automatic setting according to pan dimension
pan detection: Yes
Automatic switch off when overheat
Residual heat indicator
Protection against accidental start up



HOB682R1

80 CM MULTIZONE INDUCTION
WITH INTEGRATED HOOD,
BLACK GLASS



COOKING ZONES

No. of Flexible zones: 2

Left: 23.0x21.0 cm, 2.10 kW - 3.70 kW

Right: 23.0x21.0 cm, 2.10 kW - 3.70 kW

Electrical connection rating (W): 7545 W

TECHNICAL FEATURES

Type of control setting: Multi Slider

Cast iron

Power levels: 9

End cooking timer: 4

Residual time indicator

End of cooking alarm

Rapid level selection

Quick start

Pause option

Keep warm automatic function

Melting/Low temperature cooking function

Simmering Function

PROGRAMS / FUNCTIONS (HOOD)

No. of speeds: 8

Intensive speed: 2

Filter replacement
indicator

SAFETY FEATURES

Control Lock / Child Safety

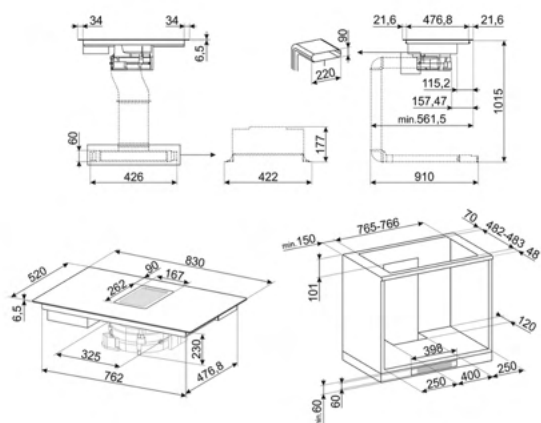
Automatic setting according to pan
dimension

pan detection: Yes

Automatic switch off when overflow

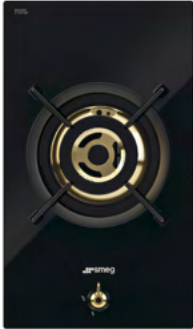
Residual heat indicator

Protection against accidental start up



PC31GNO

30 CM GAS HOB,
BLACK GLASS



COOKING ZONES

Central: 6.00 kW

Electrical connection rating (W): 1 W
Gas connection rating (W): 6200 W

TECHNICAL FEATURES

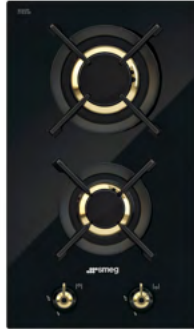
Type of control setting: Control knobs
Cast iron
Cast iron wok support
G30 GPL Liquid gas
Other gas nozzles included: G110 City gas,
G20 Natural gas
Other accessories: Linea control knobs kit

SAFETY FEATURES

Gas safety valves
Automatic Ignition
Glass on Steel

PC32GNO

30 CM GAS HOB,
BLACK GLASS



COOKING ZONES

Front-centre: 1.80 kW
Rear-centre: 3.00 kW

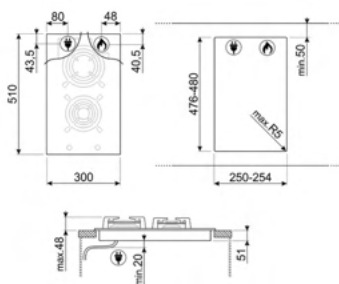
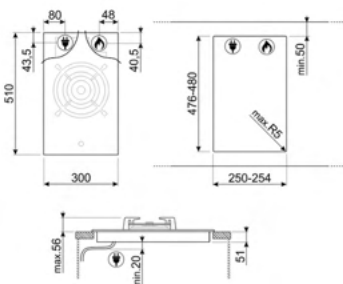
Electrical connection rating (W): 1 W
Gas connection rating (W): 4800 W

TECHNICAL FEATURES

Type of control setting: Control knobs
Cast iron
Cast iron wok support
G30 GPL Liquid gas
Other gas nozzles included: G110 City gas,
G20 Natural gas
Other accessories: Linea control knobs kit

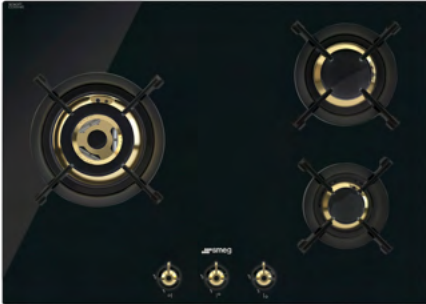
SAFETY FEATURES

Gas safety valves
Automatic Ignition
Glass on Steel



PC73GNO

70/75 CM GAS HOB,
BLACK GLASS



COOKING ZONES

Left: 6.20 kW
Rear-right: 3.00 kW
Front-right: 1.80 kW

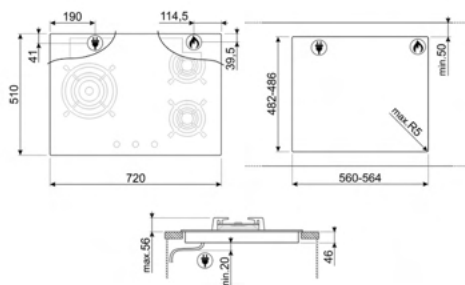
Electrical connection rating (W): 1 W
Gas connection rating (W): 11000 W

TECHNICAL FEATURES

Type of control setting: Control knobs
Cast iron
Cast iron wok support
G30 GPL Liquid gas
Other gas nozzles included: G110 City gas,
G20 Natural gas
Other accessories: Linea control knobs kit

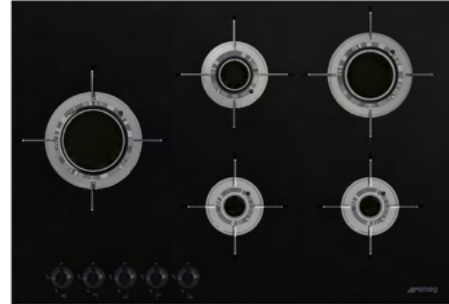
SAFETY FEATURES

Gas safety valves
Automatic Ignition
Glass on Steel



PVL675LCN

70/75 CM GAS HOB,
BLACK GLASS



COOKING ZONES

Centre-left: 3.50 kW
Rear-centre: 1.60 kW
Front-centre: 1.00 kW
Front-right: 1.00 kW
Rear-right: 2.50 kW

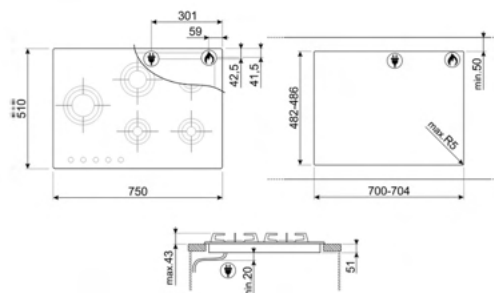
Electrical connection rating (W): 1 W
Gas connection rating (W): 9600 W

TECHNICAL FEATURES

Type of control setting: Control knobs
Stainless steel
G20 Natural gas
Other gas nozzles included: G25 Natural
gas, G30 GPL Liquid gas

SAFETY FEATURES

Gas safety valves
Automatic Ignition
Glass on Steel



PGF31G-1

30 CM GAS HOB,
STAINLESS STEEL



COOKING ZONES

Central: 5.20 kW

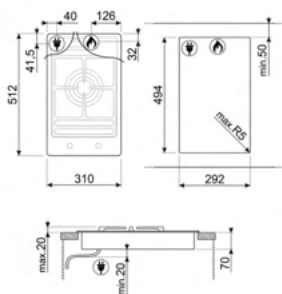
Electrical connection rating (W): 1 W
Gas connection rating (W): 5200 W

TECHNICAL FEATURES

Type of control setting: Control knobs
Cast iron
Cast iron wok support
G20 Natural gas
Other gas nozzles included: G30 GPL
Liquid gas, G110 City gas

SAFETY FEATURES

Gas safety valves
Automatic Ignition



PGF32G

30 CM GAS HOB,
STAINLESS STEEL



COOKING ZONES

Front-centre: 1.05 kW
Rear-centre: 2.50 kW

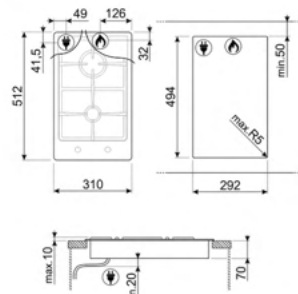
Electrical connection rating (W): 1 W
Gas connection rating (W): 3550 W

TECHNICAL FEATURES

Type of control setting: Control knobs
Cast iron
G20 Natural gas
Other gas connection included: Conical

SAFETY FEATURES

Gas safety valves
Automatic Ignition



SRV531GH5

30 CM GAS HOB,
STAINLESS STEEL



COOKING ZONES

Central: 5.00 kW

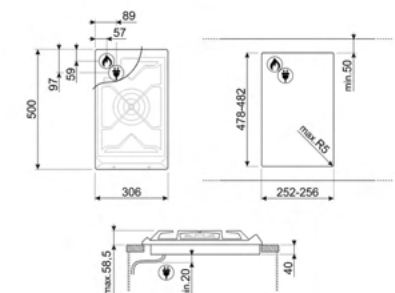
Electrical connection rating (W): 1 W
Gas connection rating (W): 5000 W

TECHNICAL FEATURES

Type of control setting: Control knobs
Cast iron
G20 Natural gas
Other gas nozzles included: G30 GPL
Liquid gas

SAFETY FEATURES

Gas safety valves
Automatic Ignition



SRV532GH3

30 CM GAS HOB,
STAINLESS STEEL



COOKING ZONES

Front-centre: 1.10 kW
Rear-centre: 3.30 kW

Electrical connection rating (W): 1 W
Gas connection rating (W): 4400 W

TECHNICAL FEATURES

Type of control setting: Control knobs
Cast iron
G20 Natural gas
Other gas nozzles included: G30 GPL
Liquid gas

SAFETY FEATURES

Gas safety valves
Automatic Ignition

SER60SGH3

60CM GAS HOB, STAINLESS
STEEL



COOKING ZONES

Left: 3.90 kW
Rear-centre: 1.70 kW
Front-centre: 1.10 kW
Right: 2.60 kW

Electrical connection rating (W): 1 W
Gas connection rating (W): 9300 W

TECHNICAL FEATURES

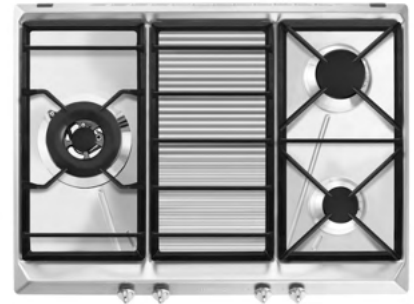
Type of control setting: Control knobs
Cast iron
G20 Natural gas
Other gas nozzles included: G30 GPL
Liquid gas

SAFETY FEATURES

Gas safety valves
Automatic Ignition

SRV573XH3

70/75 CM GAS HOB,
STAINLESS STEEL



COOKING ZONES

Left: 5.00 kW
Rear-right: 2.55 kW
Front-right: 1.65 kW

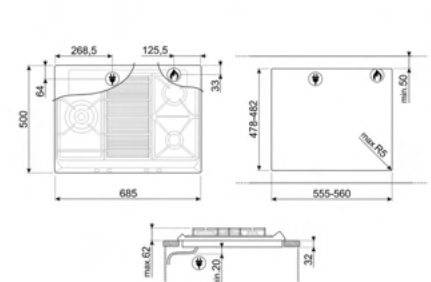
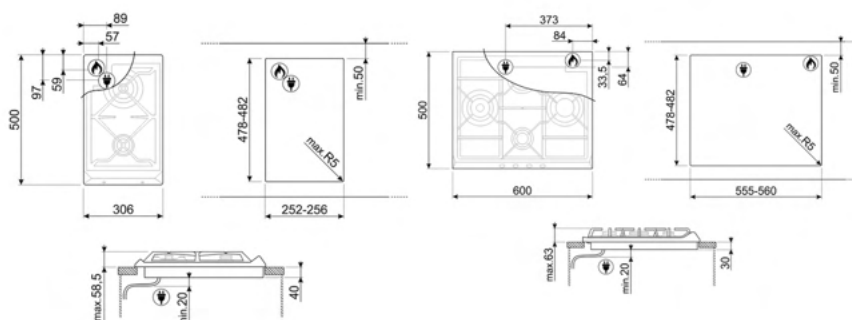
Electrical connection rating (W): 1 W
Gas connection rating (W): 9150 W

TECHNICAL FEATURES

Type of control setting: Control knobs
Cast iron
Wok stand: 1
G110 City gas
Other gas nozzles included: G30 GPL
Liquid gas, G20 Natural gas

SAFETY FEATURES

Gas safety valves
Automatic Ignition



SR973PGHSG

70/75 CM GAS HOB,
VICTORIA



COOKING ZONES

Left: 4.40 kW
Rear-right: 1.50 kW
Front-right: 2.40 kW

Electrical connection rating (W): 1 W
Gas connection rating (W): 9300 W

TECHNICAL FEATURES

Type of control setting: Control knobs
Cast iron
Wok stand: 1
G110 City gas
Other gas nozzles included: G30 GPL
Liquid gas

SAFETY FEATURES

Gas safety valves
Automatic
Ignition

SR973NGHSG

70/75 CM GAS HOB,
VICTORIA



COOKING ZONES

Left: 4.40 kW
Rear-right: 1.50 kW
Front-right: 2.40 kW

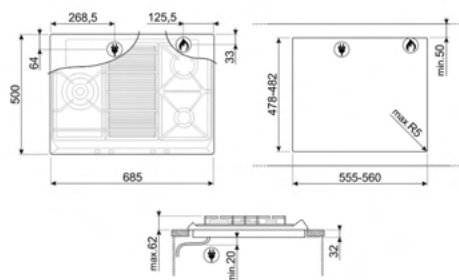
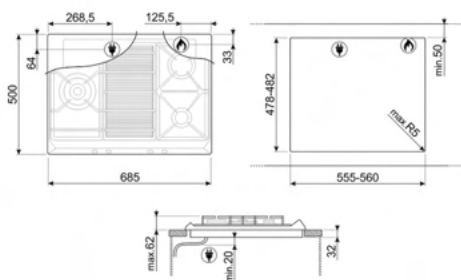
Electrical connection rating (W): 1 W
Gas connection rating (W): 9300 W

TECHNICAL FEATURES

Type of control setting: Control knobs
Cast iron
Wok stand: 1
G110 City gas
Other gas nozzles included: G30 GPL
Liquid gas

SAFETY FEATURES

Gas safety valves
Automatic
Ignition





HOODS

KSET9XE2

KT90BLE

90 CM WALL HOOD, VICTORIA, BLACK



CHARACTERISTICS

Air flow at minimum speed (Qmin): 334 m³/h
 Measured air flow rate at best efficiency point (Qbep): 438 m³/h
 Air flow at maximum speed (Qmax): 567 m³/h
 Air flow at boost speed (Qboost): 788 m³/h

PROGRAMME / FUNCTIONS

No. of speeds: 3
 Intensive speed

CONTROLS

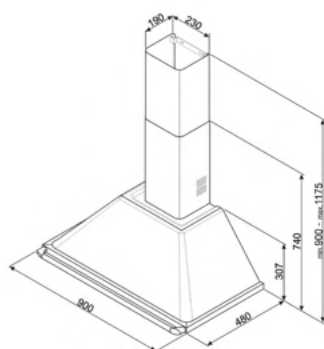
Control knobs

TECHNICAL FEATURES

Vent outlet:
 150 mm Non return valve

PERFORMANCE / ENERGY LABEL

Energy efficiency class (EEC): A
 Fluid Dynamic Efficiency class (FDEC): A
 Lighting Efficiency Class (LEC): A
 Grease Filtering Efficiency Class (GFEC): C
 Free outlet maximum capacity: 820 m³/h
 Electrical connection rating: 278 W



KT90PE

90 CM WALL HOOD, VICTORIA, CREAM



CHARACTERISTICS

Air flow at minimum speed (Qmin): 334 m³/h
 Measured air flow rate at best efficiency point (Qbep): 438 m³/h
 Air flow at maximum speed (Qmax): 567 m³/h
 Air flow at boost speed (Qboost): 788 m³/h

PROGRAMME / FUNCTIONS

No. of speeds: 3
 Intensive speed

CONTROLS

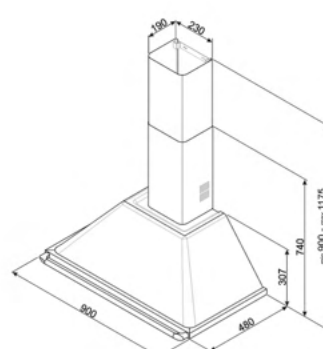
Control knobs

TECHNICAL FEATURES

Vent outlet:
 150 mm Non return valve

PERFORMANCE / ENERGY LABEL

Energy efficiency class (EEC): A
 Fluid Dynamic Efficiency class (FDEC): A
 Lighting Efficiency Class (LEC): A
 Grease Filtering Efficiency Class (GFEC): C
 Free outlet maximum capacity: 820 m³/h
 Electrical connection rating: 278 W



KD90HXE

90 CM WALL HOOD, STAINLESS STEEL



CHARACTERISTICS

No. of speeds	I	II	III	INT
Extraction rate IEC 61591 m³/h	288	421	630	781
Noise level IEC 60704-2-13 dB(A)	48	63	67	72

PROGRAMME / FUNCTIONS

No. of speeds: 3
Intensive speed

CONTROLS

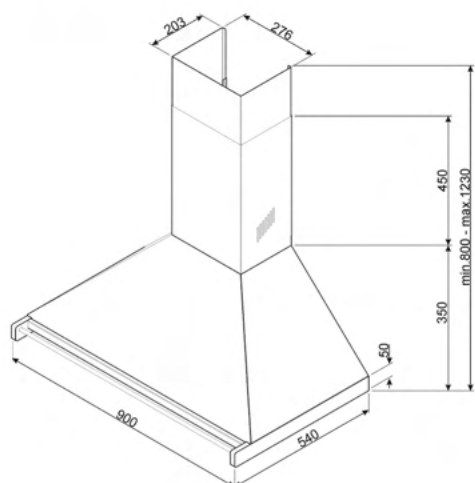
Control knobs

TECHNICAL FEATURES

Vent outlet: 150 mm
Non return valve

PERFORMANCE / ENERGY LABEL

Energy efficiency class (EEC): A+
Fluid Dynamic Efficiency class (FDEC): A
Lighting Efficiency Class (LEC): A
Grease Filtering Efficiency Class (GFEC): C
Free outlet maximum capacity: 815 m³/h
Electrical connection rating: 277 W



KBT900XE

90 CM WALL HOOD, STAINLESS STEEL



CHARACTERISTICS

No. of speeds	I	II	III	INT
Extraction rate IEC 61591 m³/h	265	360	480	713
Noise level IEC 60704-2-13 dB(A)	47	55	62	72

PROGRAMME / FUNCTIONS

No. of speeds: 3
Intensive speed
24h air filter function
Time-setting options
Filter replacement indicator

CONTROLS

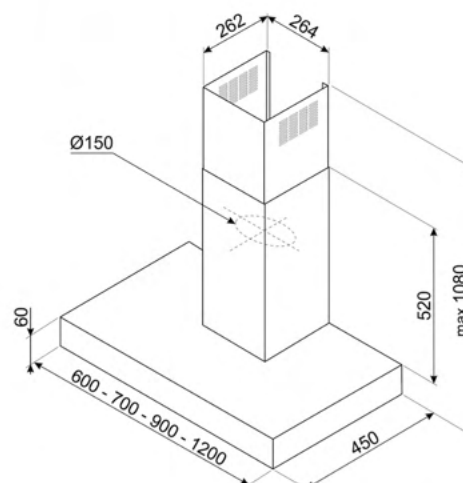
Electronic buttons

TECHNICAL FEATURES

Vent outlet: 150 mm
Non return valve
Tube reduction

PERFORMANCE / ENERGY LABEL

Energy efficiency class (EEC): A
Fluid Dynamic Efficiency class (FDEC): A
Lighting Efficiency Class (LEC): A
Grease Filtering Efficiency Class (GFEC): C
Free outlet maximum capacity: 730 m³/h
Electrical connection rating: 230 W



KBT9L4VN

90 CM WALL HOOD, STAINLESS STEEL & BLACK GLASS

**CHARACTERISTICS**

No. of speeds	I	II	III	INT
Extraction rate IEC 61591 m ³ /h	252	341	453	705
Noise level IEC 60704-2- 13 dB(A)	48	55	62	72

PROGRAMME / FUNCTIONS

No. of speeds: 3
Intensive speed
24h air filter function
Time-setting options
Dimmer mode
Filter replacement indicator

CONTROLS

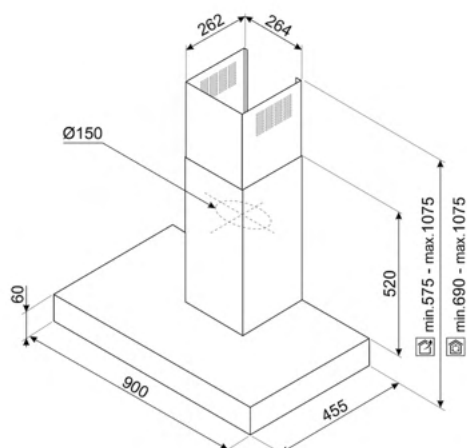
Touch control back-lighted White

TECHNICAL FEATURES

Vent outlet: 150 mm
Non return valve
Tube reduction

PERFORMANCE / ENERGY LABEL

Energy efficiency class (EEC): A
Fluid Dynamic Efficiency class (FDEC): A
Lighting Efficiency Class (LEC): A
Grease Filtering Efficiency Class (GFEC): D
Free outlet maximum capacity: 730 m³/h
Electrical connection rating: 238 W



KSET6XE2

60 CM INTEGRATED (SEMI) HOOD, STAINLESS STEEL



CHARACTERISTICS

No. of speeds	I	II	III
Extraction rate IEC 61591 m ³ /h	240	368	581
Noise level IEC 60704-2-13 dB(A)	44	54	65

PROGRAMME / FUNCTIONS

No. of speeds: 3

CONTROLS

Slider

TECHNICAL FEATURES

Vent outlet: 150 mm

Filters included

PERFORMANCE / ENERGY LABEL

Energy efficiency class (EEC): B

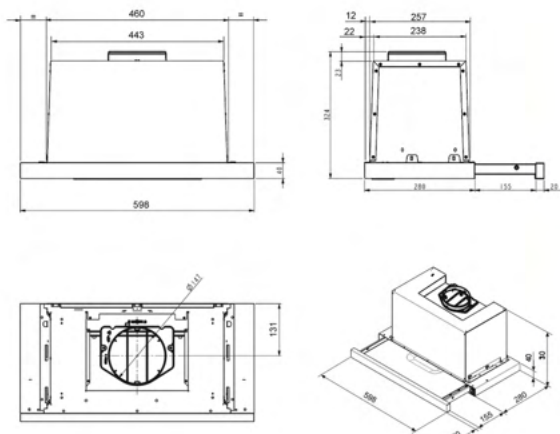
Fluid Dynamic Efficiency class (FDEC): C

Lighting Efficiency Class (LEC): A

Grease Filtering Efficiency Class (GFEC): C

Free outlet maximum capacity: 603 m³/h

Electrical connection rating: 181 W



KSET66VNE2

60 CM INTEGRATED (SEMI) HOOD



CHARACTERISTICS

No. of speeds	I	II	III
Extraction rate IEC 61591 m ³ /h	295	435	580
Noise level IEC 60704-2-13 dB(A)	52	61	68

PROGRAMME / FUNCTIONS

No. of speeds: 3

CONTROLS

Slider

TECHNICAL FEATURES

Vent outlet: 150 mm

Filters included

PERFORMANCE/ ENERGY LEVEL

Energy efficiency class (EEC): C

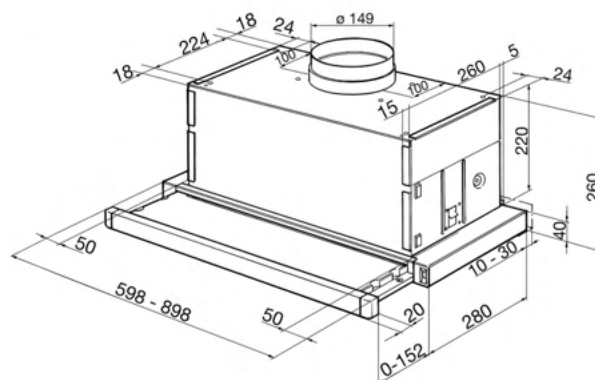
Fluid Dynamic Efficiency class (FDEC): D

Lighting Efficiency Class (LEC): A

Grease Filtering Efficiency Class (GFEC): C

Free outlet maximum capacity: 620 m³/h

Electrical connection rating: 142 W



KSG70HPE
72 CM INTEGRATED HOOD



CHARACTERISTICS

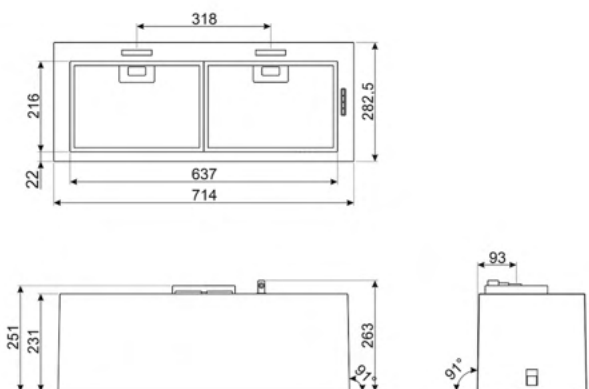
No. of speeds	I	II	III
Extraction rate IEC 61591 m³/h	232	356	584
Noise level IEC 60704-2-13 dB(A)	44	53	63

PROGRAMME / FUNCTIONS
No. of speeds: 3
Filter replacement indicator

CONTROLS
Buttons

TECHNICAL FEATURES
Vent outlet: 150 mm
Charcoal filters included

PERFORMANCE/ ENERGY LEVEL
Energy efficiency class (EEC): B
Fluid Dynamic Efficiency class (FDEC): C
Lighting Efficiency Class (LEC): A
Grease Filtering Efficiency Class (GFEC): C
Free outlet maximum capacity: 580 m³/h
Electrical connection rating: 285 W



KSET9XE2
90 CM INTEGRATED HOOD



CHARACTERISTICS

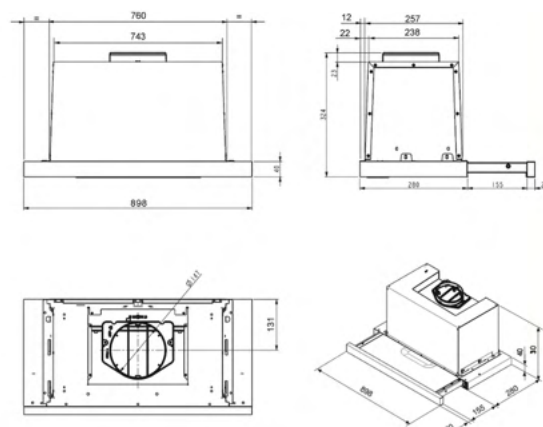
No. of speeds	I	II	III
Extraction rate IEC 61591 m³/h	240	368	581
Noise level IEC 60704-2-13 dB(A)	44	54	65

PROGRAMME / FUNCTIONS
No. of speeds: 3

CONTROLS
Slider

TECHNICAL FEATURES
Vent outlet: 150 mm
Non return valve
Filters included

PERFORMANCE / ENERGY LABEL
Energy efficiency class (EEC): B
Fluid Dynamic Efficiency class (FDEC): C
Lighting Efficiency Class (LEC): A
Grease Filtering Efficiency Class (GFEC): C
Free outlet maximum capacity: 600 m³/h
Electrical connection rating: 215 W





A1-9

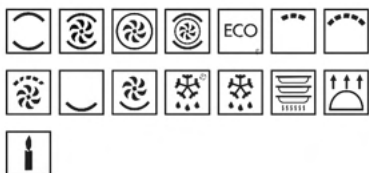
90 CM COOKER, STAINLESS STEEL



HOB ACCESSORIES

Cast iron wok support: 1

FUNCTIONS



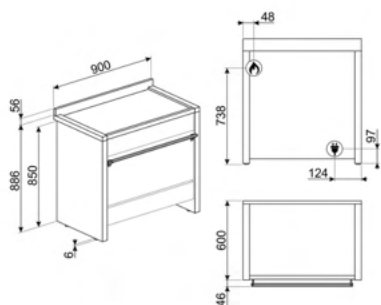
Automatic programs: 50
 Start and Stop
 Fan number: 3 Catalytic
 Ever Clean enamel
 Drawer
 Soft Close system

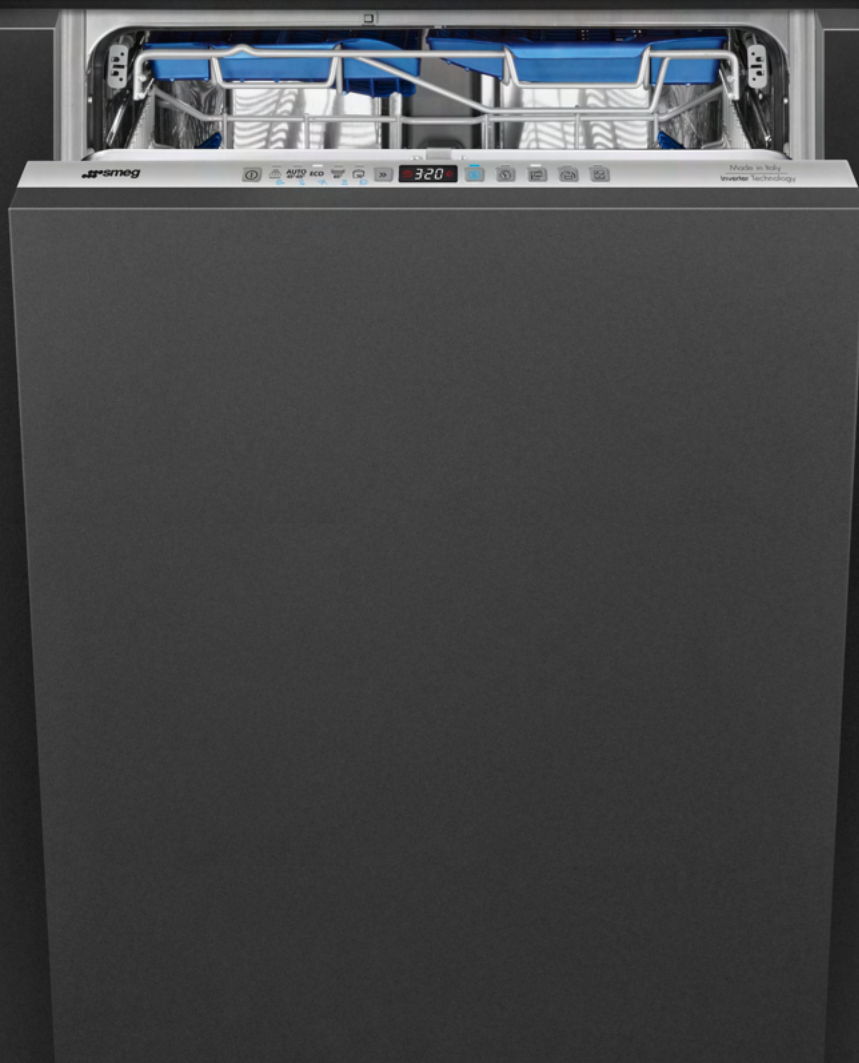
OVEN ACCESSORIES

Grill mesh: 1
 Rack with back and side stop: 1
 Telescopic Guide rails, partial extraction: 1

PERFORMANCE / ENERGY LABEL

Net volume of the cavity: 115 l
 Energy consumption per cycle in conventional Mode: 1.19 KWh
 Energy consumption per cycle in fan-forced convection: 0.84 KWh
 Electrical connection rating: 3200 W





DISHWASHERS

STL333CL

STL251C

BUILT-IN DISHWASHER



STL333CL

BUILT-IN DISHWASHER



LVS254CB

FREESTANDING DISHWASHER



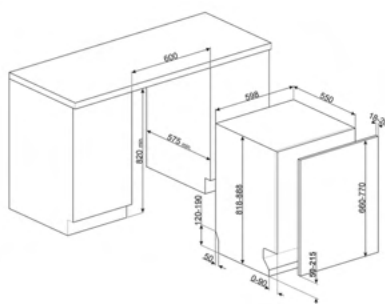
PROGRAMS / FUNCTIONS



No. of programmes: 5
 Washing temperatures: 45, 50, 65, 75 °C
 Extra dry option
 Delay timer option: 3-6-9 hours
 Acoustic signal

TECHNICAL FEATURES

N° baskets: 2
 Upper Basket: With central fixed racks
 Largest loadable dish in upper basket: 25cm
 Height adjustment of the upper basket: On three levels (5cm)
 Lower Basket: With 2 foldable racks
 Largest loadable dish in lower basket: 30cm
 Lower basket with anti-drip inserts
 Single; cold/hot water max. 60°C - energysave with hot water up to 35%
 Orbital
 Self balancing, Sliding, FLEXIFIT



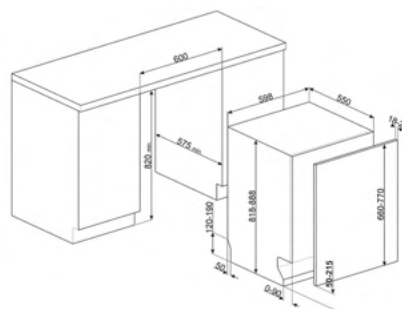
PROGRAMS / FUNCTIONS



No. of programmes: 10+1
 Washing temperatures: 38, 45, 50, 55, 65, 70, 75 °C
 1/2 load FlexiZone option
 Delay timer option: Up to 24 hours
 ActiveLight

TECHNICAL FEATURES

N° baskets: 3, FlexiDuo
 Upper Basket: With 1 foldable rack
 Largest loadable dish in upper basket: 19cm
 Height adjustment of the upper basket: On three levels (5 cm)
 Lower Basket: With 2 foldable racks
 Largest loadable dish in lower basket: 30cm
 Lower basket with anti-drip inserts
 Single; cold/hot water max. 60°C - energysave with hot water up to 35%
 Planetarium
 Self balancing, Sliding, FLEXIFIT



PROGRAMS / FUNCTIONS



No. of programmes: 10+1
 Washing temperatures: 38, 45, 50, 55, 65, 70, 75 °C
 1/2 load FlexiZone option
 Delay timer option: Up to 24 hours
 On display, with acoustic signal

TECHNICAL FEATURES

N° baskets: 2
 Upper Basket: With 1 foldable rack
 Largest loadable dish in upper basket: 25cm
 Height adjustment of the upper basket: On three levels (5 cm)
 Lower Basket: With 2 foldable racks
 Largest loadable dish in lower basket: 30cm
 Lower basket with anti-drip inserts
 Single; cold/hot water max. 60°C - energysave with hot water up to 35%
 Planetarium
 Self balancing with fixed hinges

