

FMI425X

Usable volume

25 l



Product Family

Microwave

Category

Built-in

Installation

Fully Built-in

Power supply

Electric

Cooking Method

Microwave with grill

Control

Electromechanical



Programme / Functions

No. of functions

5

Full grill



Defrost by time



Defrost by weight



Microwave



Microwave + grill



Automatic programmes

8

Other Microwave functions

Multi-session cooking

Controls

Display / Clock

1 a LED

Control knobs

Push-push

Type of control setting

Control knobs / buttons

Controls colour

Steel effect

Opening

Mechanical button

Buttons Colour

Steel effect

No. of controls

1

Options



Timer

Electronic

Controls Lock / Child Safety

Yes

Time-setting options

End cooking

Quick start option

Yes

End of cooking acoustic alarm Yes

Technical Features



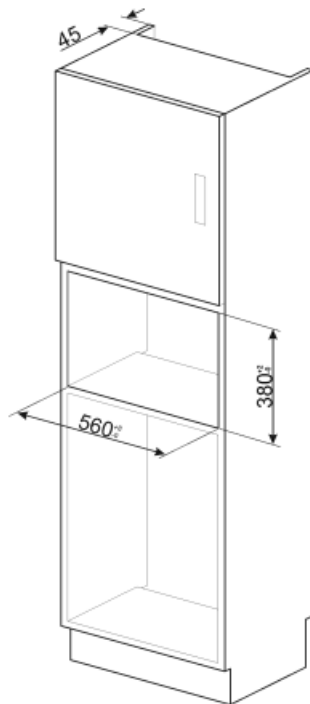
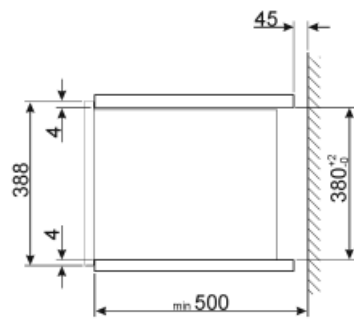
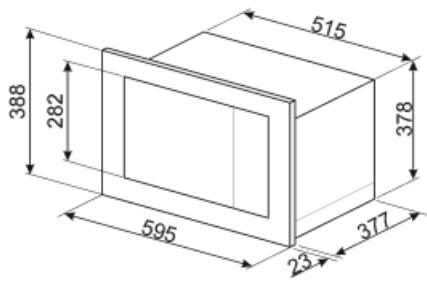
Cavity material	Stainless steel	Grill - power	1000 W
No. of shelves/ levels	2	Door opening	Side-opening
Shelves type	Rack	Total no. of door glasses	1
No. of lights	1	Safety Thermostat	Yes
Light type	Led	Cooling system	Tangential
Turntable	Yes	Microwave screen protection	Yes
Turntable dimensions	31.5 cm	Microwave stops when door is opened	Yes
Light when door is opened	Yes	Usable cavity space dimensions (HxWxD)	206x368x328 mm
Grill type	Quartz	Microwave effective power	900 W

Accessories Included

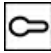







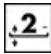

Grid 1

Electrical Connection

Nominal power	1450 W	Frequency (Hz)	50 Hz
Current	6.3 A	Power supply cable length	150 cm
Voltage (V)	230 V		



Symbols glossary (TT)

- | | | | |
|--|---|---|--|
|  | Child lock: some models are fitted with a device to lock the programme/cycle so it cannot be accidentally changed. |  | Microwave energy shortens cooking times dramatically and produces energy savings. |
|  | Defrost by time: Manual defrost function. At the end of the set duration, the function stops. |  | Defrost by weight: Automatic defrost function. You choose the type of food to defrost from the available categories (MEAT - FISH - BREAD - DESSERTS) After entering the weight of the food, the oven automatically defines the time required for proper defrosting. |
|  | Grill: Very intense heat coming only from above from a double heating element. The fan is not active. Provides excellent grilling and gratinating results. Used at the end of cooking, it gives a uniform browning to dishes. |  | Microwave: Penetrating straight into the food, microwaves cook very quickly and with considerable energy savings. Suitable for cooking without fat, they are also able to thaw and heat food without altering its original appearance and aroma. The microwave function can also be combined with conventional functions with all the resulting advantages. Ideal for all types of food. |
|  | Microwave + grill element: The use of the grill results in a perfect browning of the surface of the food. The action of microwaves allows instead of cooking in a short time the internal part of the food. |  | Side lights: Two opposing side lights increase visibility inside the oven. |
|  | The oven cavity has 2 different cooking levels. |  | The capacity indicates the amount of usable space in the oven cavity in litres. |