

# KSG70HPE

Product family	Hood
Hood Type	Canopy Cooker Hoods
Design	Fully integrated
Extraction	Ducted out or re-circulation possible
Electronic control	Yes
Material	Painted material
Type of steel	Brushed
EAN code	8017709333621
Hood width	72 cm



## Aesthetics

Aesthetics	Universal	Serigraphy colour	Black
Colour	Stainless steel	Logo	Silk screen
Finishing	Brushed		

## Controls

Control setting	Buttons	Led colour	White
-----------------	---------	------------	-------

## Programs / Functions

No. of speeds	3
---------------	---

## Technical Features



No. of lights	2	Anti-grease filters	Aluminium
Light type	LED	Charcoal filters included	Yes
Light power	5 W	Filter replacement indicator	Yes
Light colour temperature scale (°K)	2700 °K	Vent outlet	150 mm
Free outlet maximum capacity	580 m <sup>3</sup> /h	Minimum distance from GAS hob	650 mm
Motor power	175 W	Minimum distance from ELECTRIC hob	500 mm
No. of filters	2		

	Extraction rate IEC 61591 [m <sup>3</sup> /h]	Noise level IEC 60704-2-13 [dB(A)]
Speed 1	232	44
Speed 2	356	53
Speed 3	584	63

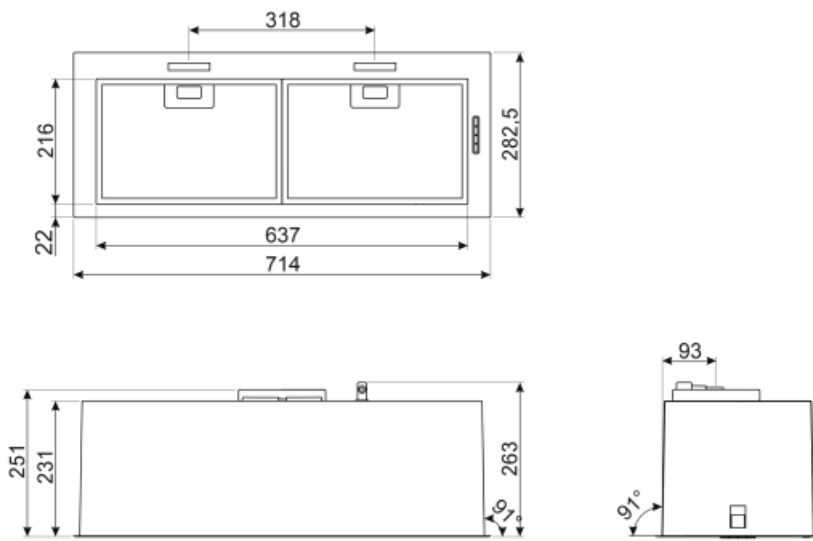
## Performance / Energy Label

**B**

Annual Efficiency Consumption (AEChood)	75 kWh/year	Airborne acoustical A-weighted sound Power Emission at maximum speed (SPEmax)	65 dB(A)
Energy efficiency class (EEC)	B	Power consumption in stand-by mode (Ps)	0,49 W
Fluid Dynamic Efficiency (FDE)	20,9	Time increase factor (F)	1,2
Fluid Dynamic Efficiency class (FDEC)	C	Energy Efficiency Index per first cavity	69,6
Lighting Efficiency (LE)	44,1 lux/W	Measured air flow rate at best efficiency point (Qbep)	345 m <sup>3</sup> /h
Lighting Efficiency Class (LEC)	A	Measured air pressure at best efficiency point (Qbep)	355 Pa
Grease Filtering Efficiency (GFE)	75,1 %	Measured electric power input at best efficiency point (Wbep)	163 W
Grease Filtering Efficiency Class (GFEC)	C	Normal Power of the light system (WI)	5 W
Air flow at minimum speed (Qmin)	225 m <sup>3</sup> /h	Average illumination of the light on the cooking surface (Emiddle)	221 lux
Maximum extraction rate	580 m <sup>3</sup> /h	Sound power level at highest setting (Lwa)	65 dB(A)
Airbourne acoustical A-weighted sound Power Emission at minimum speed (SPEmin)	46 dB(A)		

## Electrical Connection

Nominal power	285 W	Frequency (Hz)	50-60 Hz
Voltage	220-240 V	Power supply cable length	1000 mm



---

## Not included accessories

---

KITFC221R

Charcoal filter high efficiency capable to regenerate and last up to 3 years.



---

## Symbols glossary

---



**Filters:** Model has filters to help remove grease from the steam emanating from the pans during cooking.



**Charcoal filters:** Extracting through charcoal filters or directly to the exterior lessens strong cooking odours considerably.



**B:** Product energy rating, measured from A+++ to D / G depending on the product family.



**Warning light(s):** to advise when filters need changing.



**Lights:** All cooker hoods feature lights to illuminate the cooking area or add to the ambience of the kitchen.